

**Self-stabilises on  
uneven restaurant  
and cafe surfaces.**

**Award winning  
design.**



**Patented  
technology.**

**Simple, robust  
mechanical design.**

**Mastering  
stabilising  
technology for  
over 25 years.**

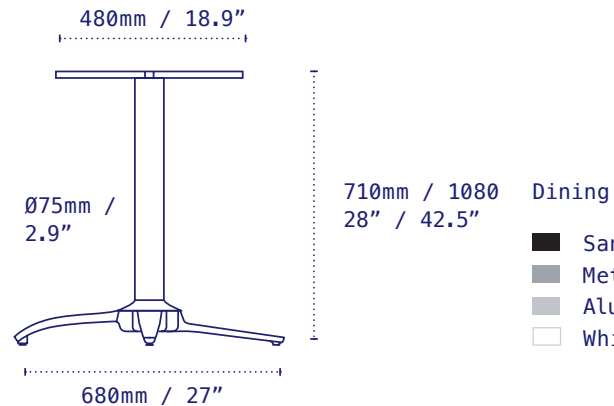
**Instant  
stabilisation**

# Terrace

Interweaving features from the 'Avenue' and 'Esplanade', the NOROCK 'Terrace' table base is designed for limited storage capacities. Functional and award-winning, the 'Terrace' hallmark is its iconic nesting feature. Simply fold, then nest. Custom colours available.



|                          |                                      |
|--------------------------|--------------------------------------|
| Model                    | Terrace                              |
| Part Number              | TCAL27                               |
| Material                 | Aluminium                            |
| Base Diameter            | 680mm - 27"                          |
| Style                    | Dining height / Bar high             |
| Height excl. Table Top   | 710mm - 28" / 1080mm - 42.5"         |
| Column                   | Ø75mm - 2.9"                         |
| Top Plate                | Fixed                                |
| Gross Weight (GW)        | 6.6kg - 14.55lbs                     |
| Net Weight (NW)          | 5.4kg - 11.90lbs                     |
| Carton Measurement       | 600 x 600 x 100mm - 23.6 x 23.6 x 4" |
| Max Recommended Top Size | 900mm 35.5" Dining / 700mm 27.5" Bar |



- Sandstone Black Part No: TCAL27BK/B\*
- Metallic Silver Part No: TCAL27SI
- Aluminium Part No: TCAL27AL
- White Part No: TCAL27WH