

**Self-stabilises on
uneven restaurant
and cafe surfaces.**

**Award winning
design.**



**Patented
technology.**

**Simple, robust
mechanical design.**

**Mastering
stabilising
technology for
over 25 years.**

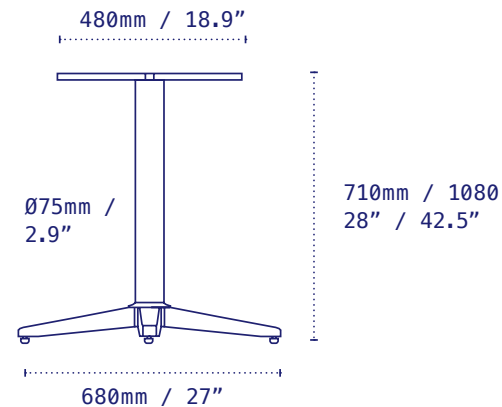
**Instant
stabilisation**

Trail 27



The NOROCK 'Trail' table base exemplifies modern simplicity. The linear, clean design and concealed componentry complements a robust construction for use in any setting. Custom colours available.

Model	Trail
Part Number	TRST27
Material	Zinc plated, powder coated steel
Base Diameter	680mm - 27"
Style	Dining height / Bar Height
Height excl. Table Top	710mm - 28" / 1080mm - 42.5"
Column	Ø75mm - 2.9"
Top Plate	Fixed
Gross Weight (GW)	7.2kg - 15.87lbs
Net Weight (NW)	6kg - 13.23lbs
Carton Measurement	600 x 600 x 100mm - 23.6 x 23.6 x 4"
Max Recommended Top Size	900mm - 35.5" Dining / 700mm - 27.5" Bar



Dining

- Sandstone Black Part No: TRST27BK/B*
- Metallic Silver Part No: TRST27SI
- Rust Part No: TRST27RU
- Galvanised Part No: TRST27GA
- Antique Bronze Part No: TRST27AB