

**Self-stabilises on  
uneven restaurant  
and cafe surfaces.**

**Award winning  
design.**



**GOOD  
DESIGN  
AWARD®  
GOLD WINNER**



**reddot award 2017  
winner**

**Patented  
technology.**

**Simple, robust  
mechanical design.**

**Mastering  
stabilising  
technology for  
over 25 years.**

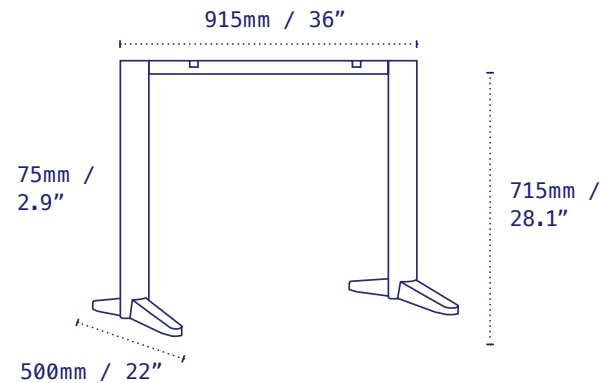
**Instant  
stabilisation**

# Trail T-Base



This twin base offers the NOROCK patented self-stabilising function for your larger, rectangular tabletops. Perfectly matched with all Trail bases and complementing other NOROCK designs, the T-Base is ADA compliant.

Model	Trail T-Base
Part Number	TTST22
Material	Powder coated steel
Base Diameter	915mm x 500mm – 36" x 22"
Style	Dining height
Height excl. Table Top	715mm – 28.1" Dining
Column	75mm – 2.9"
Top Plate	Fixed
Gross Weight (GW)	16.5kg – 36.3lbs
Net Weight (NW)	13.6kg – 29.9lbs
Carton Measurement	750 x 960 x 100mm – 29.5 x 37.7 x 3.9"
Max Recommended Top Size	800 x 1550mm – 32 x 62"



- Sandstone Black Part No: TTS22BK
- Metallic Silver Part No: TTS22SI
- Rust Part No: TTS22RU
- Galvanised Part No: TTS22GA
- Antique Bronze Part No: TTS22AB