

**Self-stabilises on
uneven restaurant
and cafe surfaces.**

**Award winning
design.**



**GOOD
DESIGN
AWARD®
GOLD WINNER**



**reddot award 2017
winner**

**Patented
technology.**

**Simple, robust
mechanical design.**

**Mastering
stabilising
technology for
over 25 years.**

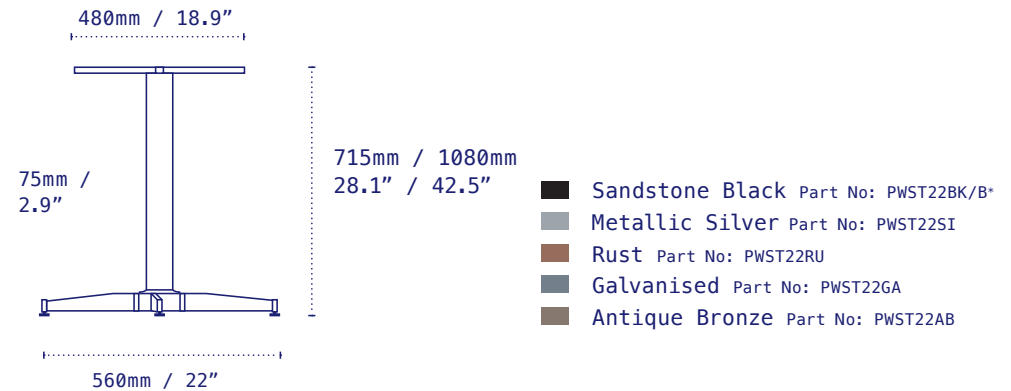
**Instant
stabilisation**

Parkway 22



The NOROCK 'Parkway' table base captures an industrial rawness. Angular and architectural, the exposed componentry and minimalist design illustrate the elements – crafted, zinc-plated steel, exposed fasteners and a dichotomous simplicity. Custom colours available.

Model	Parkway
Part Number	PWST22
Material	Zinc Plated Powder Coated Steel
Base Diameter	560mm – 22"
Style	Dining height / Bar height
Height excl. Table Top	715mm – 28.1" Dining / 1080mm – 42.5" Bar
Column	75mm – 2.9"
Top Plate	Fixed
Gross Weight (GW)	7.6kg – 16.7lbs
Net Weight (NW)	6.7kg – 14.7lbs
Carton Measurement	610 x 520 x 100mm – 24 x 20 x 4"
Max Recommended Top Size	760mm – 30" Dining / 600mm – 24" Bar

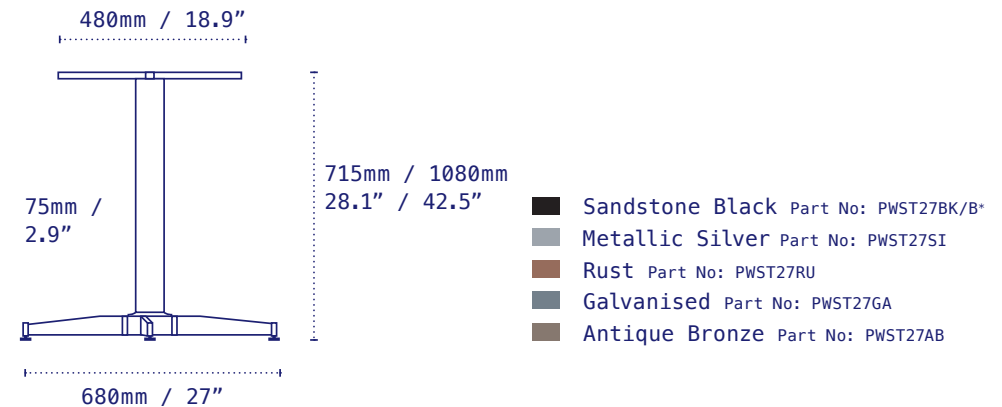


Parkway 27



The NOROCK 'Parkway' table base captures an industrial rawness. Angular and architectural, the exposed componentry and minimalist design illustrate the elements – crafted, zinc-plated steel, exposed fasteners and a dichotomous simplicity. Custom colours available.

Model	Parkway
Part Number	PWST27
Material	Zinc Plated Powder Coated Steel
Base Diameter	680mm – 27"
Style	Dining height / Bar height
Height excl. Table Top	715mm – 28.1" Dining / 1080mm – 42.5" Bar
Column	75mm – 2.9"
Top Plate	Fixed
Gross Weight (GW)	8.4kg – 18.5lbs
Net Weight (NW)	7.0kg – 15.8lbs
Carton Measurement	600 x 600 x 100mm – 23.6 x 23.6 x 4"
Max Recommended Top Size	860mm – 34" Dining / 760mm – 30" Bar

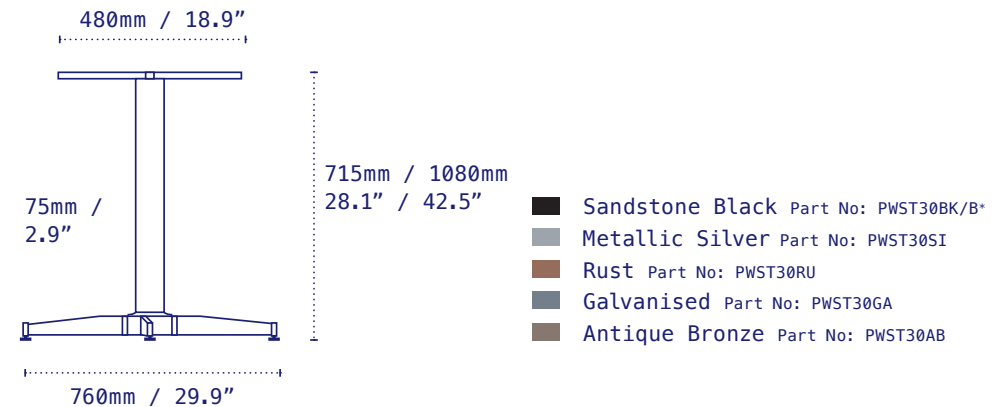


Parkway 30



The NOROCK 'Parkway' table base captures an industrial rawness. Angular and architectural, the exposed componentry and minimalist design illustrate the elements – crafted, zinc-plated steel, exposed fasteners and a dichotomous simplicity. Custom colours available.

Model	Parkway
Part Number	PWST30
Material	Zinc plated, powder coated steel
Base Diameter	760mm – 30"
Style	Dining height / Bar height
Height excl. Table Top	715mm – 28.1" Dining / 1080mm – 42.5" Bar
Column	75mm – 2.9"
Top Plate	Fixed
Gross Weight (GW)	8.9kg – 19.6lbs
Net Weight (NW)	7.0kg – 16.9lbs
Carton Measurement	670 x 600 x 100mm – 25.4 x 23.6 x 4"
Max Recommended Top Size	1000mm – 40" Dining / 860mm – 34" Bar

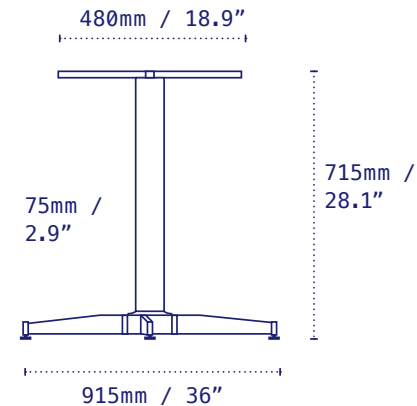


Parkway 36



The NOROCK 'Parkway' table base captures an industrial rawness. Angular and architectural, the exposed componentry and minimalist design illustrate the elements – crafted, zinc-plated steel, exposed fasteners and a dichotomous simplicity. Custom colours available.

Model	Parkway
Part Number	PWST36
Material	Zinc plated, powder coated steel
Base Diameter	915mm – 36"
Style	Dining height
Height excl. Table Top	715mm – 28.1" Dining
Column	75mm – 2.9"
Top Plate	Fixed
Gross Weight (GW)	10kg – 22.0lbs
Net Weight (NW)	8.46kg – 18.6lbs
Carton Measurement	770 x 690 x 100mm – 30.3 x 26.8 x 4"
Max Recommended Top Size	1150mm – 46" Dining



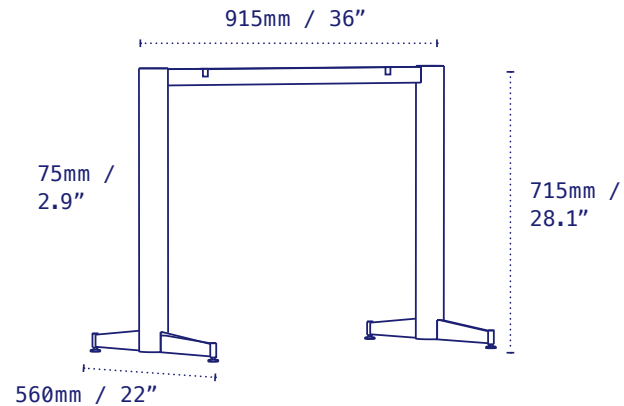
- Sandstone Black Part No: PWST36BK/B*
- Metallic Silver Part No: PWST36SI
- Rust Part No: PWST36RU
- Galvanised Part No: PWST36GA
- Antique Bronze Part No: PWST36AB

Parkway T-Base



The NOROCK 'Parkway' table base captures an industrial rawness. Angular and architectural, this popular base is now available in a twin. Perfect for your larger, rectangular tabletops and featuring our patented self-stabilising technology. Custom colours available.

Model	Parkway
Part Number	PTST22
Material	Zinc plated, powder coated steel
Base Diameter	915 x 560mm – 36 x 22"
Style	Dining height
Height excl. Table Top	715mm – 28.1" Dining
Column	75mm – 2.9"
Top Plate	Fixed
Gross Weight (GW)	21.4kg – 47.2lbs
Net Weight (NW)	19.5kg – 42.9lbs
Carton Measurement	930 x 730 x 110mm – 36.6 x 28.7 x 4.3"
Max Recommended Top Size	800 x 1550mm – 32 x 62"



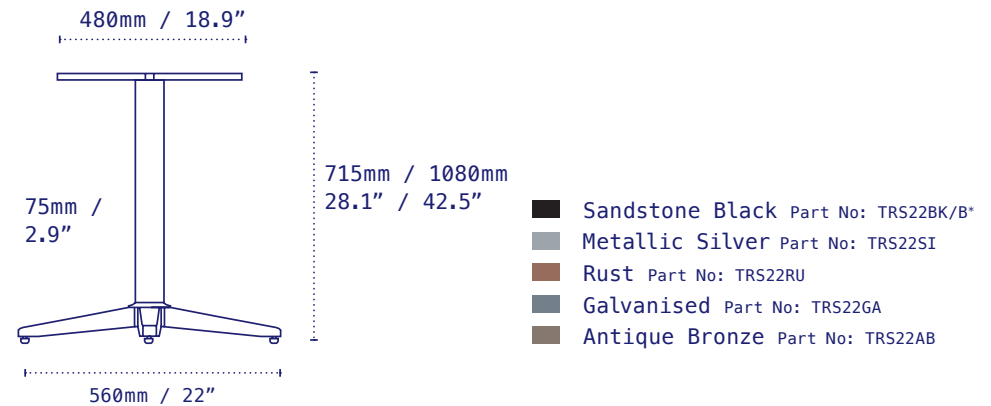
- Sandstone Black Part No: PTST22BK
- Metallic Silver Part No: PTST22SI
- Rust Part No: PTST22RU
- Galvanised Part No: PTST22GA
- Antique Bronze Part No: PTST22AB

Trail 22



The NOROCK 'Trail' table base exemplifies modern simplicity. The linear, clean design and concealed componentry complement a robust construction for use in any setting. Custom colours available.

Model	Trail
Part Number	TRST22
Material	Zinc plated, powder coated steel
Base Diameter	560mm - 22"
Style	Dining height / Bar height
Height excl. Table Top	715mm - 28.1" Dining / 1080mm - 42.5" Bar
Column	75mm - 2.9"
Top Plate	Fixed
Gross Weight (GW)	5.7kg - 12.5lbs
Net Weight (NW)	6.9kg - 15.2lbs
Carton Measurement	600 x 520 x 100mm - 23.6 x 20.5 x 4"
Max Recommended Top Size	760mm - 30" Dining / 600mm - 24" Bar

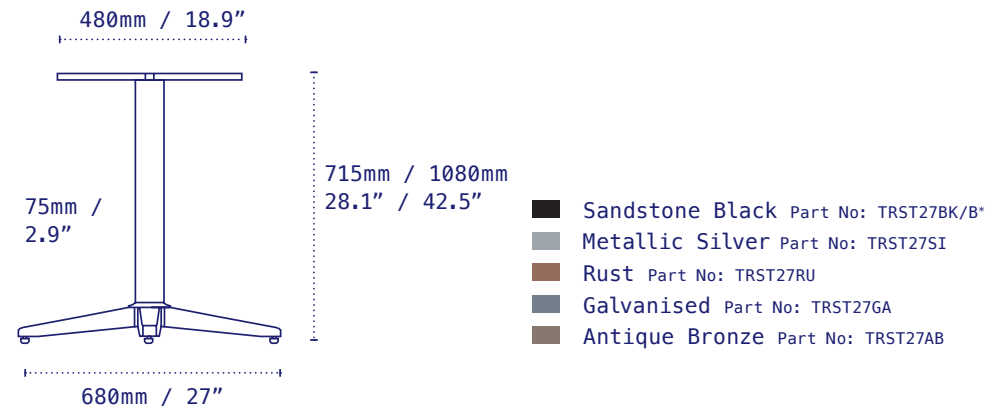


Trail 27



The NOROCK 'Trail' table base exemplifies modern simplicity. The linear, clean design and concealed componentry complement a robust construction for use in any setting. Custom colours available.

Model	Trail
Part Number	TRST27
Material	Zinc plated, powder coated steel
Base Diameter	680mm - 27"
Style	Dining height / Bar height
Height excl. Table Top	715mm - 28.1" Dining / 1080mm - 42.5" Bar
Column	75mm - 2.9"
Top Plate	Fixed
Gross Weight (GW)	7.2kg - 15.8lbs
Net Weight (NW)	6kg - 13.2lbs
Carton Measurement	600 x 600 x 100mm - 23.6 x 23.6 x 4"
Max Recommended Top Size	860mm - 34" Dining / 760mm - 30" Bar

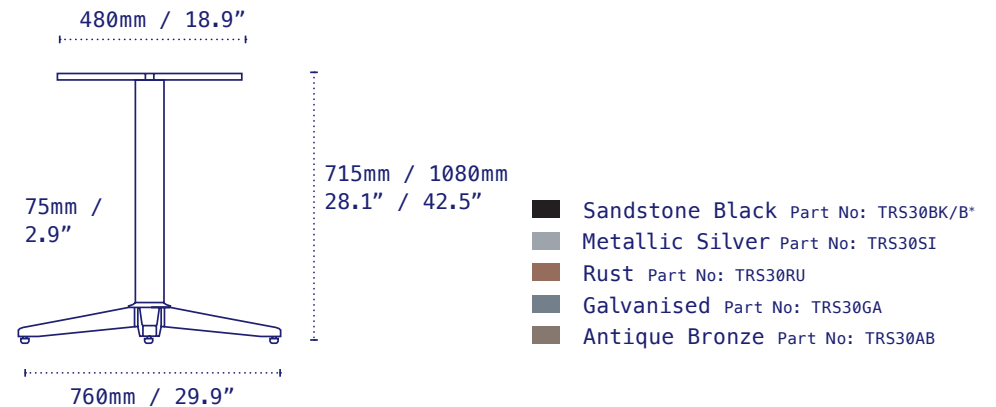


Trail 30



The NOROCK 'Trail' table base exemplifies modern simplicity. The linear, clean design and concealed componentry complement a robust construction for use in any setting. Custom colours available.

Model	Trail
Part Number	TRST30
Material	Zinc plated, powder coated steel
Base Diameter	760mm - 30"
Style	Dining height / Bar height
Height excl. Table Top	715mm - 28.1" Dining / 1080mm - 42.5" Bar
Column	75mm - 2.9"
Top Plate	Fixed
Gross Weight (GW)	6.2kg - 13.6lbs
Net Weight (NW)	7.4kg - 16.3lbs
Carton Measurement	670 x 600 x 100mm - 25.4 x 23.6 x 4"
Max Recommended Top Size	1000mm - 40" Dining / 860mm - 34" Bar

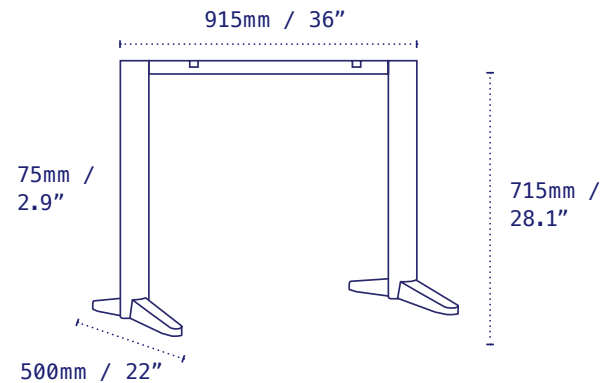


Trail T-Base



This twin base offers the NOROCK patented self-stabilising function for your larger, rectangular tabletops. Perfectly matched with all Trail bases and complementing other NOROCK designs, the T-Base is ADA compliant.

Model	Trail T-Base
Part Number	TTST22
Material	Powder coated steel
Base Diameter	915mm x 500mm – 36" x 22"
Style	Dining height
Height excl. Table Top	715mm – 28.1" Dining
Column	75mm – 2.9"
Top Plate	Fixed
Gross Weight (GW)	16.5kg – 36.3lbs
Net Weight (NW)	13.6kg – 29.9lbs
Carton Measurement	750 x 960 x 100mm – 29.5 x 37.7 x 3.9"
Max Recommended Top Size	800 x 1550mm – 32 x 62"



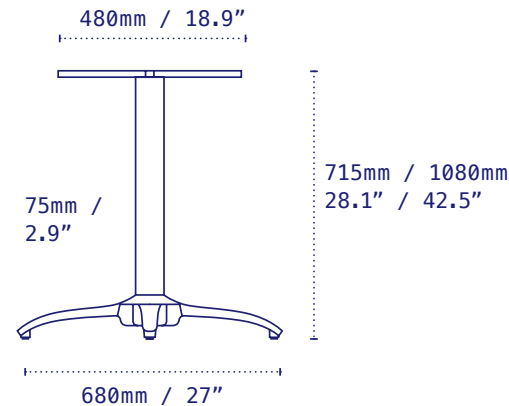
- Sandstone Black Part No: TTS22BK
- Metallic Silver Part No: TTS22SI
- Rust Part No: TTS22RU
- Galvanised Part No: TTS22GA
- Antique Bronze Part No: TTS22AB

Avenue



The NOROCK 'Avenue' table base balances classic, architectural linework with a contemporary pragmatism. Exhibiting sensory weightlessness, the high quality, die-cast aluminium base sees the 'Avenue' as a perfect accompaniment for any setting. Custom colours available.

Model	Avenue
Part Number	AVAL27
Material	Powder Coated Aluminium
Base Diameter	680mm - 27"
Style	Dining height / Bar height
Height excl. Table Top	715mm - 28.1" Dining / 1080mm - 42.5" Bar
Column	75mm - 2.9"
Top Plate	Fixed
Gross Weight (GW)	6.2kg - 11.0lbs
Net Weight (NW)	5kg - 13.6lbs
Carton Measurement	600 x 600 x 100mm - 23.6 x 23.6 x 4"
Max Recommended Top Size	860mm - 34" Dining / 760mm - 30" Bar



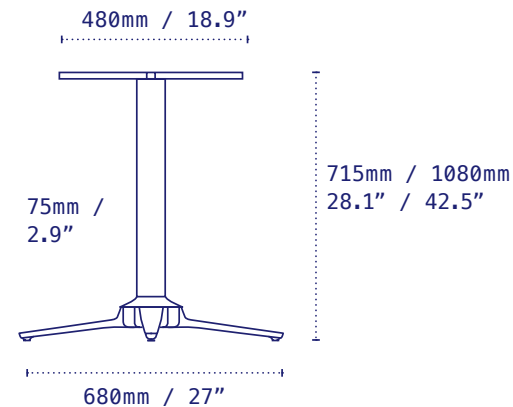
- Sandstone Black Part No: AVAL27BK/B*
- Metallic Silver Part No: AVAL27SI
- Aluminium Part No: AVAL27AL
- White Part No: AVAL27WH
- Antique Bronze Part No: AVAL27AB
- Rust Part No: AVAL27RU

Esplanade



Classic and architectural, the NoRock 'Esplanade' table base exemplifies a prestige. Elegant, established and confident, the 'Esplanade' is suited to the sophisticated dining experience. Custom colours available.

Model	Esplanade
Part Number	ESAL27
Material	Aluminium
Base Diameter	680mm - 27"
Style	Dining height / Bar height
Height excl. Table Top	715mm - 28.1" Dining / 1080mm - 42.5" Bar
Column	75mm - 2.9"
Top Plate	Fixed
Gross Weight (GW)	5.9kg - 13.0lbs
Net Weight (NW)	4.7kg - 10.3lbs
Carton Measurement	600 x 600 x 100mm - 23.6 x 23.6 x 4"
Max Recommended Top Size	860mm - 34" Dining / 760mm - 30" Bar



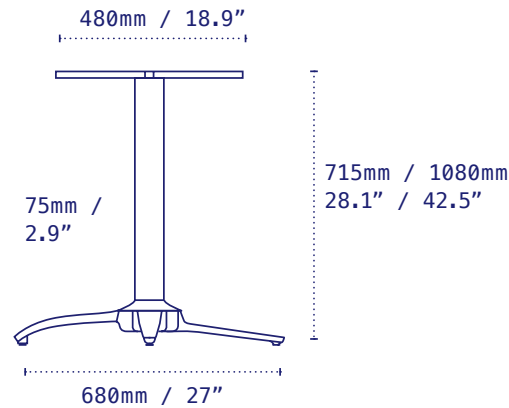
- Sandstone Black Part No: ESAL27BK/B*
- Metallic Silver Part No: ESAL27SI
- Aluminium Part No: ESAL27AL
- White Part No: ESAL27WH
- Antique Bronze Part No: ESAL27AB
- Rust Part No: ESAL27RU

Terrace



Interweaving features from the 'Avenue' and 'Esplanade', the NOROCK 'Terrace' table base is designed for limited storage capacities. Functional and award-winning, the 'Terrace' hallmark is its iconic nesting feature. Simply fold, then nest. Custom colours available.

Model	Terrace
Part Number	TCAL27
Material	Aluminium
Base Diameter	680mm - 27"
Style	Dining height / Bar height
Height excl. Table Top	715mm - 28.1" Dining / 1080mm - 42.5" Bar
Column	75mm - 2.9"
Top Plate	Fixed
Gross Weight (GW)	6.6kg - 14.5lbs
Net Weight (NW)	5.4kg - 11.9lbs
Carton Measurement	600 x 600 x 100mm - 23.6 x 23.6 x 4"
Max Recommended Top Size	860mm - 34" Dining / 760mm - 30" Bar



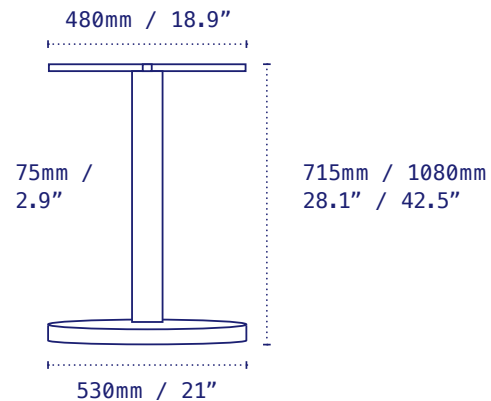
- Sandstone Black Part No: TCAL27BK/B*
- Metallic Silver Part No: TCAL27SI
- Aluminium Part No: TCAL27AL
- White Part No: TCAL27WH
- Antique Bronze Part No: TCAL27AB
- Rust Part No: TCAL27RU

Lunar

The Lunar presents all the self-stabilising technology within a well-designed, unique disc-shaped base. Custom colours available



Model	Lunar
Part Number	LNST21
Material	Powder coated steel
Base Diameter	530mm – 21"
Style	Dining height / Bar height
Height excl. Table Top	715mm – 28.1" Dining / 1080mm – 42.5" Bar
Column	75mm – 2.9"
Top Plate	Fixed
Gross Weight (GW)	16.4kg – 36.1lbs
Net Weight (NW)	14.5kg – 31.9lbs
Carton Measurement	550 x 550 x 150mm – 21.6 x 21.6 x 5.9"
Max Recommended Top Size	760mm – 30" Dining / 600mm – 24" Bar



- Sandstone Black Part No: LNST21BK/B*
- Metallic Silver Part No: LNST21SI
- Aluminium Part No: LNST21AL
- White Part No: LNST21WH
- Antique Bronze Part No: LNST21AB
- Rust Part No: LNST21RU