

**Self-stabilises on
uneven restaurant
and cafe surfaces.**

**Award winning
design.**



**GOOD
DESIGN
AWARD®
GOLD WINNER**



**reddot award 2017
winner**

**Patented
technology.**

**Simple, robust
mechanical design.**

**Mastering
stabilising
technology for
over 25 years.**

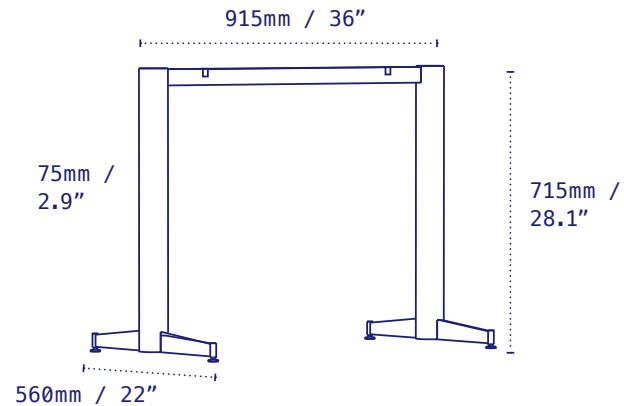
**Instant
stabilisation**

Parkway T-Base



The NOROCK 'Parkway' table base captures an industrial rawness. Angular and architectural, this popular base is now available in a twin. Perfect for your larger, rectangular tabletops and featuring our patented self-stabilising technology. Custom colours available.

Model	Parkway
Part Number	PTST22
Material	Zinc plated, powder coated steel
Base Diameter	915 x 560mm – 36 x 22"
Style	Dining height
Height excl. Table Top	715mm – 28.1" Dining
Column	75mm – 2.9"
Top Plate	Fixed
Gross Weight (GW)	21.4kg – 47.2lbs
Net Weight (NW)	19.5kg – 42.9lbs
Carton Measurement	930 x 730 x 110mm – 36.6 x 28.7 x 4.3"
Max Recommended Top Size	800 x 1550mm – 32 x 62"



- Sandstone Black Part No: PTST22BK
- Metallic Silver Part No: PTST22SI
- Rust Part No: PTST22RU
- Galvanised Part No: PTST22GA
- Antique Bronze Part No: PTST22AB