

**Self-stabilises on
uneven restaurant
and cafe surfaces.**

**Award winning
design.**



reddot award 2017
winner

**Patented
technology.**

**Simple, robust
mechanical design.**

**Mastering
stabilising
technology for
over 25 years.**

**Instant
stabilisation**

Trail T-Base



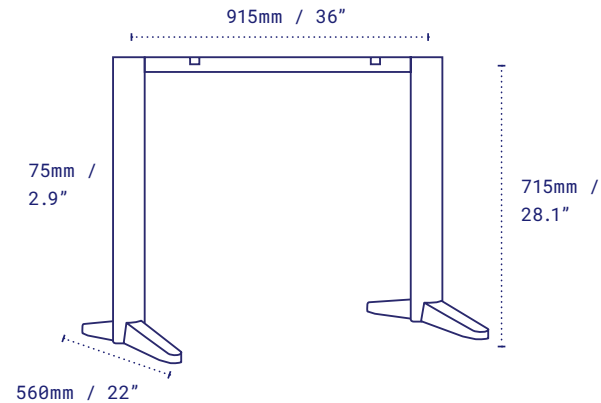
The *Trail T-Base* offers the NOROCK patented self-stabilising function for your larger, rectangular tabletops. This twin base perfectly matches with all *Trail* bases and complementing other NOROCK designs. The *Trail T-Base* is compliant with the Americans with Disabilities Act Standards for Accessible Design (ADA).

DETAILS

Model	Trail T-Base
Part number	TTST22
Material	Powder coated steel
Base diameter	915mm x 500mm - 36" x 22"
Style	Dining height
Height excl. table top	715mm - 28.1" Dining
Column	75mm - 2.9"
Top plate	Fixed
Gross weight	19.5kg - 42.9lbs
Net weight	17.6kg - 38.8lbs
Carton measurement	930 x 730 x 110mm - 36.6 x 28.7 x 4.3"
Max recommended top size	800 x 1550mm - 32 x 62" <input type="checkbox"/> Dining



Wooden Paedie, Illinois, United States of America



-  Sandstone Black Part No: TTST22BK
-  Metallic Silver Part No: TTST22SI
-  White Part No: TTST22WH
-  Rust Part No: TTST22RU
-  Antique Bronze Part No: TTST22AB