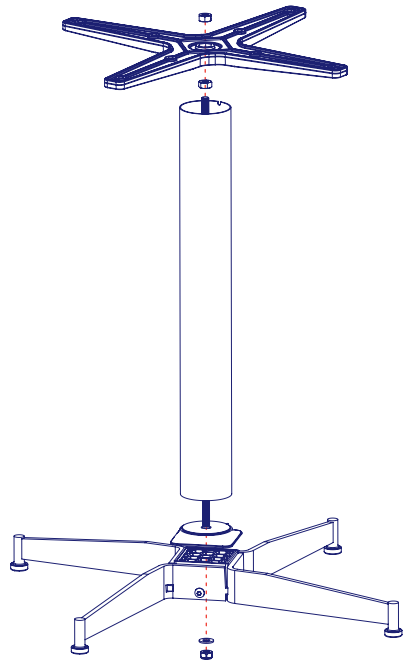







Parkway



HARDWARE INCLUDED

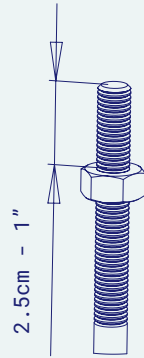
-  2 x M10 Nut
-  1 x M10 Washer
-  1 x M10 Nyloc

HAND TOOLS REQUIRED TO ASSEMBLE*

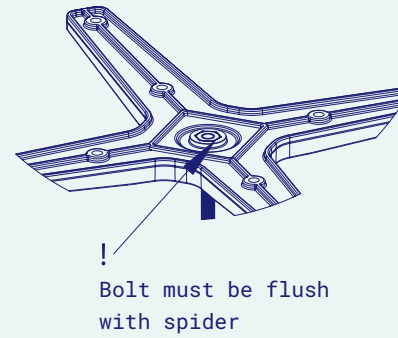
-  17mm Spanner
-  17mm Socket wrench

*Not supplied.

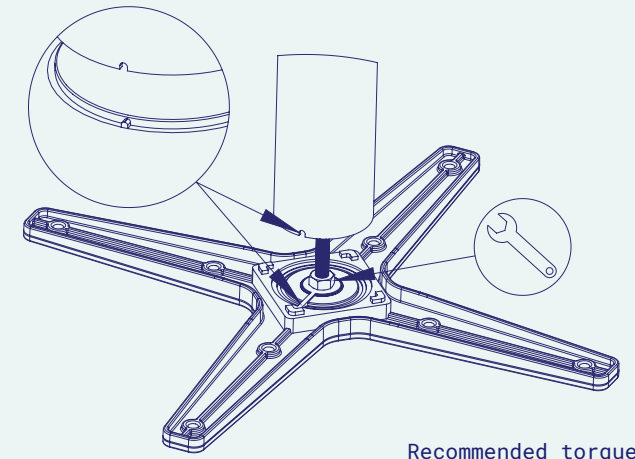
1.



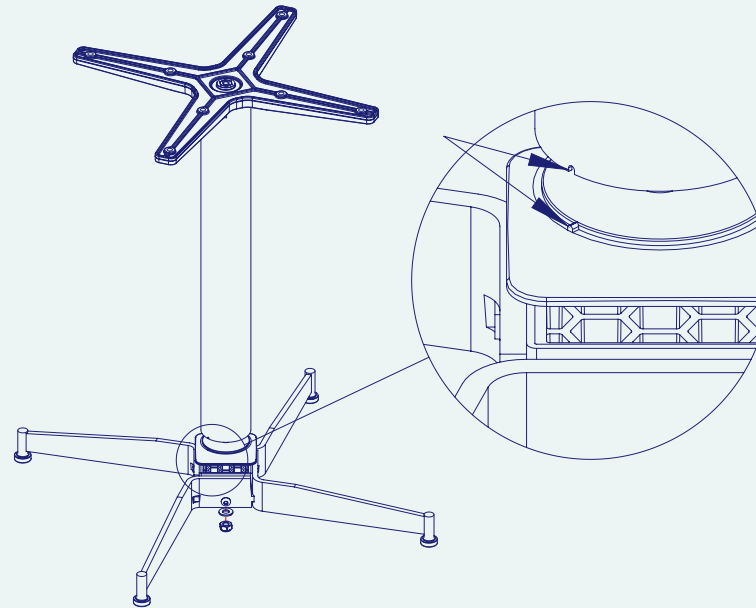
2.



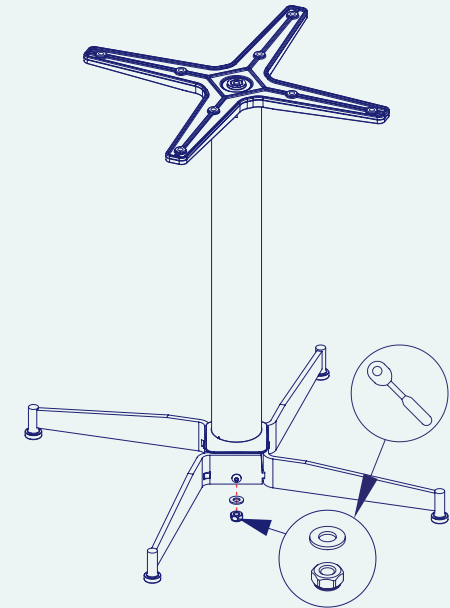
3.



4.



5.



WATCH ASSEMBLY DEMO

All product information is correct at the time of printing but may be subject to change without notice. For the latest information please visit our website.

INFO@NO-ROCK.COM
WWW.NO-ROCK.COM

