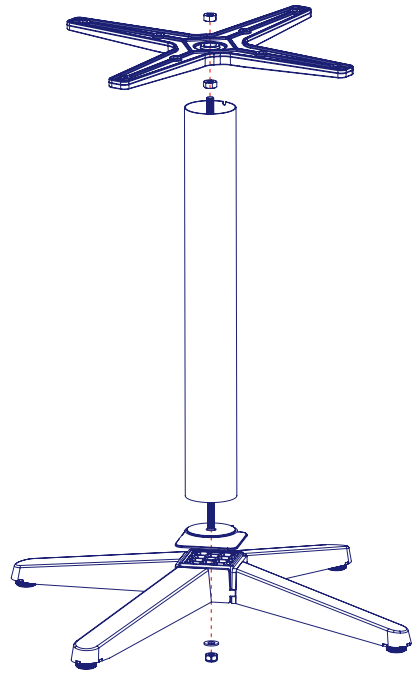







Trail



HARDWARE INCLUDED

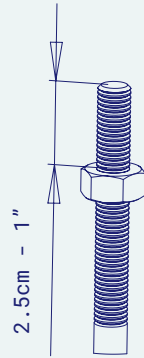
-  2 x M10 Nut
-  1 x M10 Washer
-  1 x M10 Nyloc

HAND TOOLS REQUIRED TO ASSEMBLE*

-  17mm Spanner
-  17mm Socket wrench

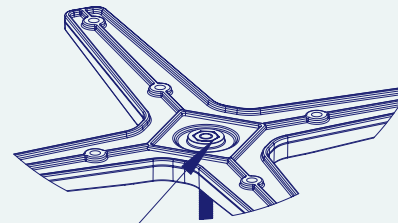
*Not supplied.

1.



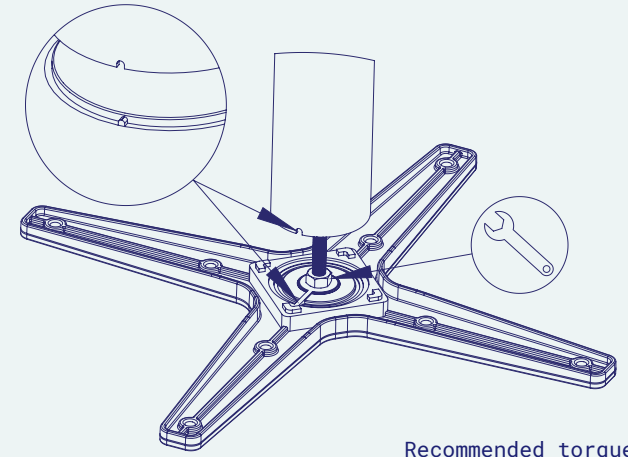
2.5cm - 1"

2.



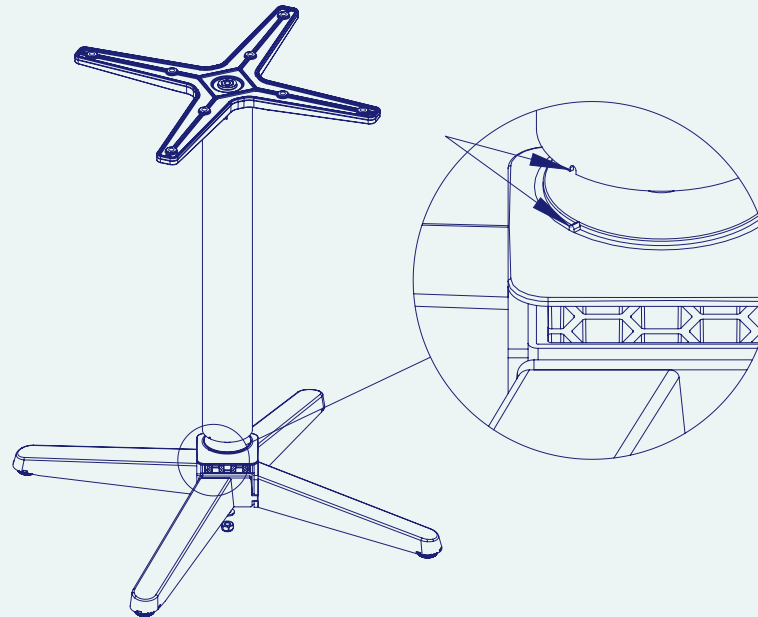
! Bolt must be flush with spider

3.

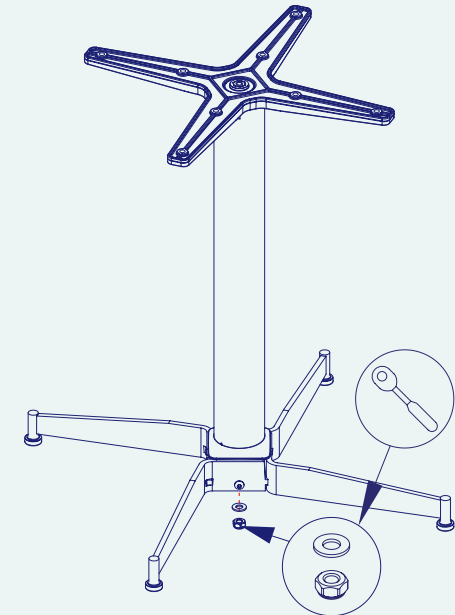


Recommended torque
20 Nm / 15 ft-lb

4.



5.



Nyloc recommended torque
20 Nm / 15 ft-lb



WATCH ASSEMBLY DEMO

All product information is correct at the time of printing but may be subject to change without notice. For the latest information please visit our website.

INFO@NO-ROCK.COM
WWW.NO-ROCK.COM

