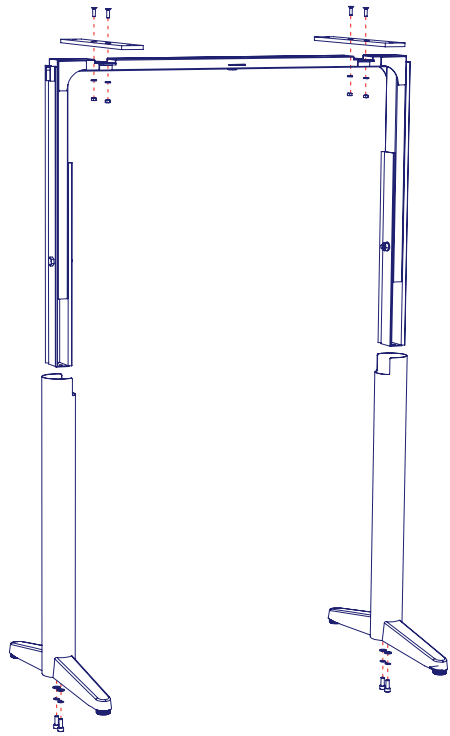



Trail T-Base




HARDWARE INCLUDED

To attach Top Plates

 4 x M8 Countersunk Head Screws

 4 x M8 Flat Washer

 4 x M8 Nyloc

To attach Legs

 4 x M8 Cap Head Screws

 4 x M8 Spring Washer

 4 x M8 Flat Washer

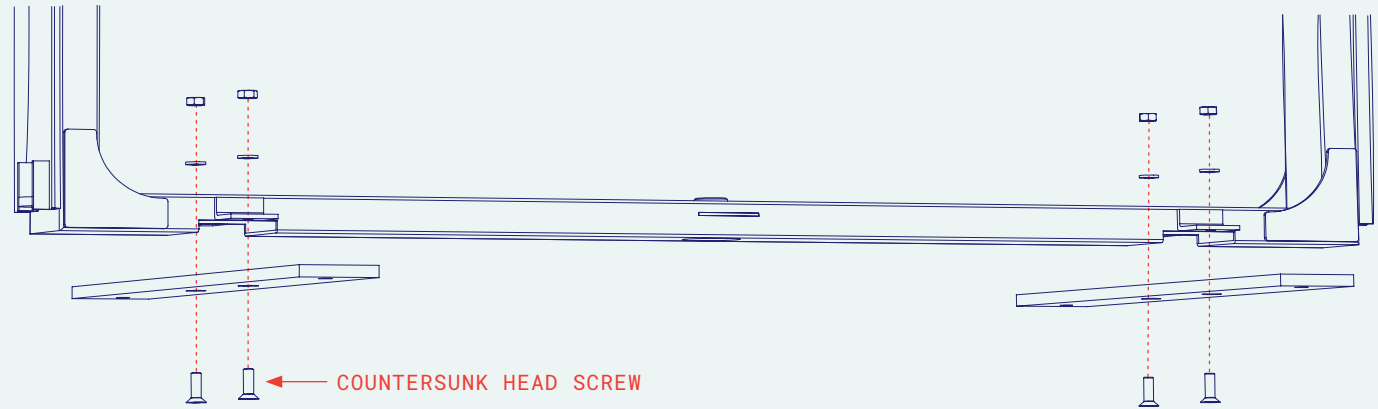
HAND TOOLS REQUIRED TO ASSEMBLE*

 13mm Spanner

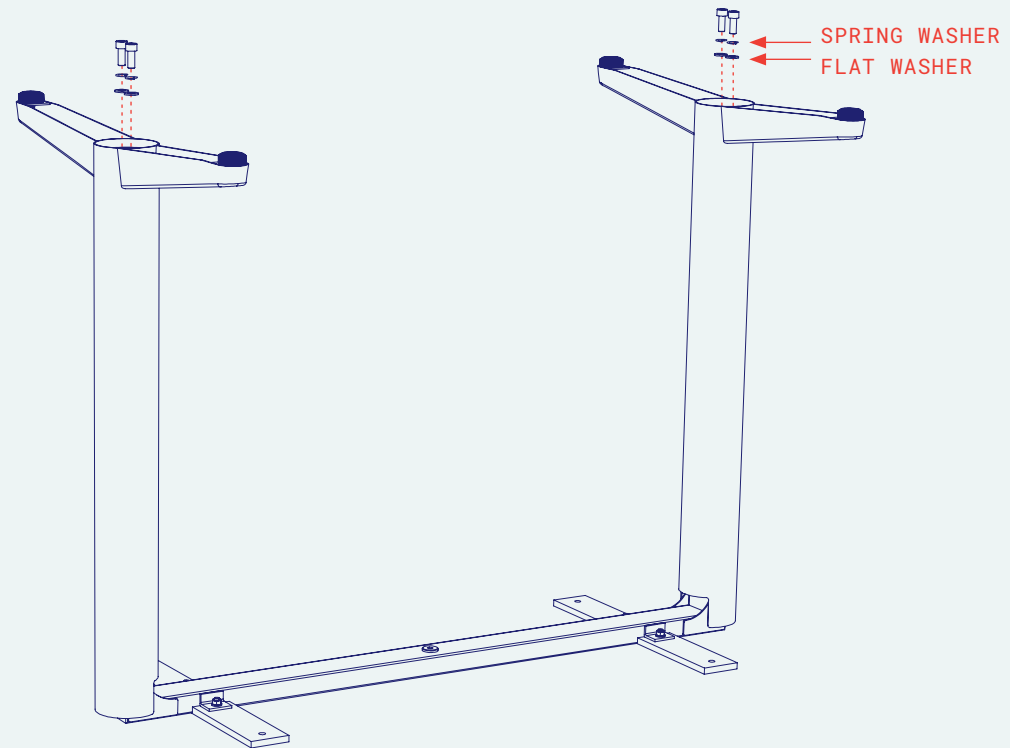
 5mm + 6mm Hex/Allen keys

*Not supplied.

1.



2.



WATCH ASSEMBLY DEMO

All product information is correct at the time of printing but may be subject to change without notice. For the latest information please visit our website.

INFO@NO-ROCK.COM
WWW.NO-ROCK.COM

