

Parkway 22x30

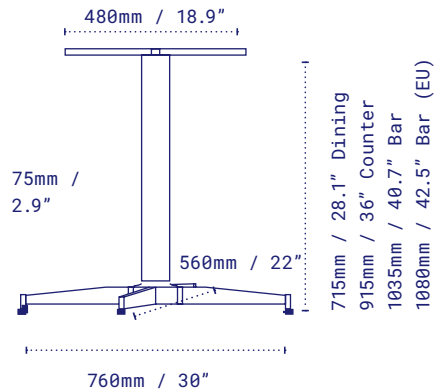


Eagle Bay, Australia

A new addition to our Parkway family, the *Parkway 22x30* is your answer to booth seating while ensuring stability. *Parkway 22x30* is angular and architectural with exposed componentry and is perfect for rectangular table tops.

DETAILS

Model	Parkway
Part number	PWST2230
Material	Zinc Plated Powder Coated Steel
Base diameter	760mm / 30"
Style	Dining Height / Bar Height
Height excl. table top	715mm / 28.1" Dining 915mm / 36" Counter 1035mm / 40.7" Bar 1080mm / 42.5" Bar (EU only)
Column	75mm / 2.9"
Top plate	Fixed
Gross weight	12.9kg / 28.4lbs Dining 12.4kg / 27.3lbs Counter 12.7kg / 27.9lbs Bar
Net weight	10.7kg / 23.6lbs Dining 11.2kg / 24.7lbs Counter 11.4kg / 25.2lbs Bar
Carton measurement	570 x 680 x 100mm / 22 x 27 x 4" Dining x Box 1 570 x 800 x 100mm / 22 x 32 x 4" Counter x Box 1 470 x 680 x 100mm / 19 x 27 x 4" Bar x Box 1 83 x 84 x 1050mm / 3 x 3 x 41" Bar x Box 2
Max recommended top size	610 x 1220mm - 24 x 48" <input type="checkbox"/> Dining



- Sandstone Black Part No: PWST2230BK/C*/B*
- Metallic Silver Part No: PWST2230SI/C*/B*
- White Part No: PWST2230WH/C*/B*
- Rust Part No: PWST2230RU/C*/B*
- Antique Bronze Part No: PWST2230AB/C*/B*

* / C denotes counter height
* / B denotes bar height