

Parkway T-Base



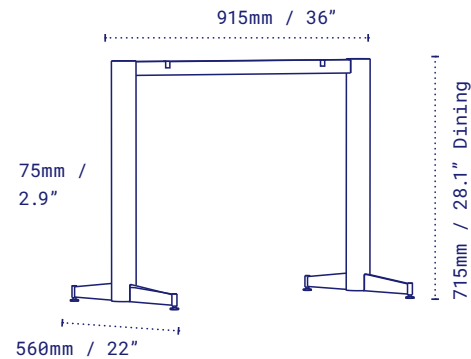
The NOROCK *Parkway T-Base* captures an industrial rawness. Angular and architectural, this popular base is now available in a twin. Perfect for your larger, rectangular tabletops and featuring our patented self-stabilising technology, the *Parkway T-Base* is compliant with the Americans with Disabilities Act Standards for Accessible Design (ADA).






DETAILS

Model	Parkway
Part number	PTST22
Material	Zinc Phosphate Powder Coated
Base diameter	915 x 560mm - 36 x 22"
Style	Dining Height
Height excl. table top	715mm / 28.1" Dining
Column	75mm / 2.9"
Top plate	Fixed
Gross weight	21.4kg / 47.2lbs Dining
Net weight	19.5kg / 42.9lbs Dining
Carton measurement	930 x 730 x 110mm / 36.6 x 28.7 x 4.3" Dining
Max recommended top size	800 x 1550mm - 32 x 62" <input type="checkbox"/> Dining



Blue Sushi, Illinois, USA



-  Sandstone Black Part No: PTST22BK
-  Metallic Silver Part No: PTST22SI
-  White Part No: PTST22WH
-  Rust Part No: PTST22RU
-  Antique Bronze Part No: PTST22AB

 **NOROCK**[®]

WWW.NO-ROCK.COM | INFO@NO-ROCK.COM