

Trail 22x30

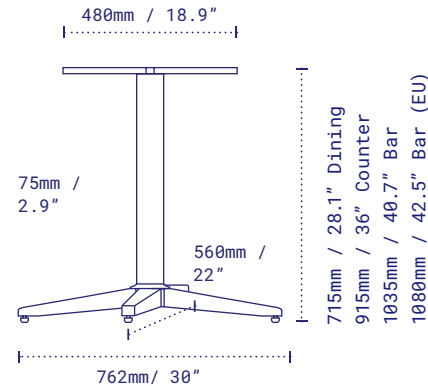


Eagle Bay, Australia

Our popular Trail family has a new addition with the *Trail 22x30*. This self-stabilising table base ensures a smooth experience for booth seating requiring rectangular tabletops. The perfect match to our Trail T-Base and all other size x-bases, while effortlessly complementing the rest of the NOROCK range.

DETAILS

Model	Trail 22x30
Part number	TRST2230
Material	Zinc Plated Powder Coated Steel
Base diameter	760mm / 30"
Style	Dining / Counter / Bar height
Height excl. table top	715mm / 28.1" Dining 915mm / 36.0" Counter 1035mm / 40.7" Bar 1080mm / 42.5" Bar (EU only)
Column	75mm - 2.9"
Top plate	Fixed
Gross weight	10.5kg / 23.1lbs Dining 11.4kg / 25.1lbs Counter 11.9kg / 26.2lbs Bar
Net weight	9.6kg / 21.2lbs Dining 10.2kg / 22.5lbs Counter 10.7kg / 23.5lbs Bar
Carton measurement	570 x 640 x 100mm / 22 x 25 x 4" Dining x Box 1 570 x 800 x 100mm / 22 x 32 x 4" Counter x Box 1 470 x 680 x 100mm / 19 x 27 x 4" Bar x Box 1 83 x 84 x 1050mm / 3 x 3 x 41" Bar x Box 2
Max recommended top size	700 x 1220mm - 24 x 48" <input type="checkbox"/> Dining



- Sandstone Black Part No: TRST2230BK/C*/B*
- Metallic Silver Part No: TRST2230SI/C*/B*
- White Part No: TRST2230WH/C*/B*
- Rust Part No: TRST2230RU/C*/B*
- Antique Bronze Part No: TRST2230AB/C*/B*

* / C denotes counter height
* / B denotes bar height