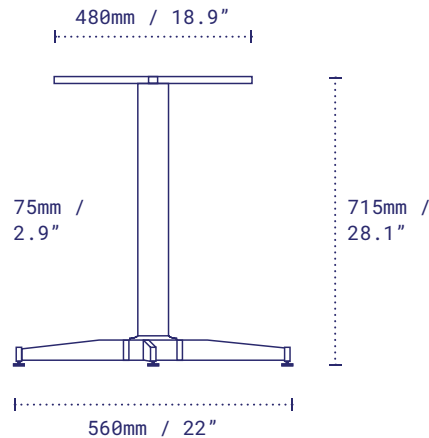


Parkway 22



PWST22[CC*] : DINING HEIGHT



Parkway 22 self-stabilising table base captures an industrial rawness. Angular and architectural, the exposed componentry and minimalist design illustrates the elements - crafted, zinc-plated steel, exposed fasteners and a dichotomous simplicity.

Pictured: Parkway 22 Dining Height, Sandstone Black.

DETAILS

Material	Steel - Zinc Plated Legs, Zinc Phosphate Column, Alodine Top Plate
Next-Level Protection also available	Steel - Zinc Plated Legs, Zinc Plated Column, Alodine Top Plate
Height excl. table top	715mm / 28.1"
Base diameter	560mm / 22"
Column width	75mm / 2.9"
Top plate	Fixed
Net weight	6.7kg / 14.7lbs
Max recommended table top	<input type="radio"/> 860mm / 34" <input type="checkbox"/> 760mm / 30"
Resources	no-rock.com/product/parkway

PACKAGING

Carton	610 x 520 x 100mm / 24.0 x 20.4 x 3.9" x Box 1
Gross weight	7.6kg / 16.7lbs

STANDARD COLOUR RANGE

- Metallic Silver**
Code: PWST22SI
- Sandstone Black**
Code: PWST22BK

NON-STANDARD COLOUR RANGE

- Antique Bronze**
Code: PWST22AB
- Ash Grey**
Code: PWST22AG
- Jarrah Brown**
Code: PWST22JH
- Leeuwin Blue**
Code: PWST22LW
- Peppermint Green**
Code: PWST22PM
- Pindan Red**
Code: PWST22PD
- Rust**
Code: PWST22RU
- White**
Code: PWST22WH



NR MARKETING PTY LTD
NOROCK USA LLC

INFO@NO-ROCK.COM
NO-ROCK.COM

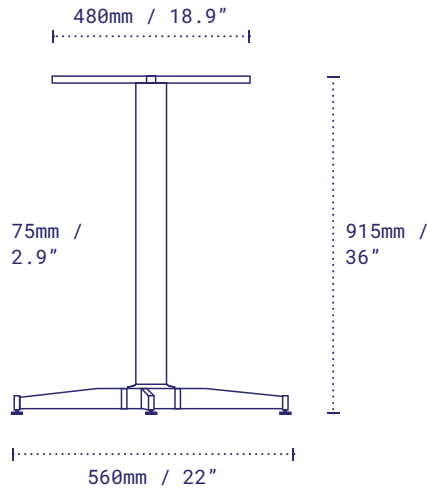
SEPTEMBER 2023

All product information is correct at the time of printing but may be subject to change without notice. For the latest information please visit our website.

Parkway 22



PWST22[CC*]C : COUNTER HEIGHT



Parkway 22 self-stabilising table base captures an industrial rawness. Angular and architectural, the exposed componentry and minimalist design illustrates the elements - crafted, zinc-plated steel, exposed fasteners and a dichotomous simplicity.

Pictured: Parkway 22 Dining Height, Sandstone Black.

DETAILS

Material	Steel - Zinc Plated Legs, Zinc Phosphate Column, Alodine Top Plate
Next-Level Protection also available	Steel - Zinc Plated Legs, Zinc Plated Column, Alodine Top Plate
Height	915mm / 36" Counter excl. table top
Base diameter	560mm / 22"
Column width	75mm / 2.9"
Top plate	Fixed
Net weight	7.4kg / 16.3lbs
Resources	no-rock.com/product/parkway

PACKAGING

Carton	440 x 440 x 100mm / 17.3 x 17.3 x 3.9" 83 x 84 x 900mm / 3.2 x 3.3 x 35.4" x Box 2
Gross weight	8.5kg / 18.7lbs

STANDARD COLOUR RANGE

- Metallic Silver**
Code: PWST22SIC
- Sandstone Black**
Code: PWST22BKC

NON-STANDARD COLOUR RANGE

- Antique Bronze**
Code: PWST22ABC
- Peppermint Green**
Code: PWST22PMC
- Ash Grey**
Code: PWST22AGC
- Pindan Red**
Code: PWST22PDC
- Jarrah Brown**
Code: PWST22JHC
- Rust**
Code: PWST22RUC
- Leeuwin Blue**
Code: PWST22LWC
- White**
Code: PWST22WHC



NR MARKETING PTY LTD
NOROCK USA LLC

INFO@NO-ROCK.COM
NO-ROCK.COM

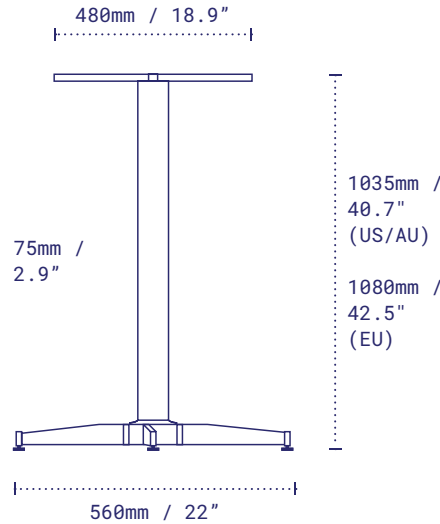
SEPTEMBER 2023

All product information is correct at the time of printing but may be subject to change without notice. For the latest information please visit our website.

Parkway 22



PWST22[CC*]B : BAR HEIGHT



Parkway 22 self-stabilising table base captures an industrial rawness. Angular and architectural, the exposed componentry and minimalist design illustrates the elements - crafted, zinc-plated steel, exposed fasteners and a dichotomous simplicity.

Pictured: Parkway 22 Bar Height, Sandstone Black.

DETAILS

Material	Steel - Zinc Plated Legs, Zinc Phosphate Column, Alodine Top Plate
Next-Level Protection also available	Steel - Zinc Plated Legs, Zinc Plated Column, Alodine Top Plate
Height excl. table top	1035mm / 40.7" Bar 1080mm / 42.5" Bar (EU only)
Base diameter	560mm / 22"
Column width	75mm / 2.9"
Top plate	Fixed
Net weight	7.8kg / 17.3lbs
Max recommended table top	<input type="radio"/> 760mm / 30" <input type="checkbox"/> 600mm / 24"
Resources	no-rock.com/product/parkway

PACKAGING

Carton	510 x 510 x 100mm / 20.0 x 20.0 x 3.9" x Box 1 83 x 84 x 1050mm / 3.2 x 3.3 x 41.3" x Box 2
Gross weight	9.0kg / 19.8lbs

STANDARD COLOUR RANGE

- Metallic Silver**
Code: PWST22SIB
- Sandstone Black**
Code: PWST22BKB

NON-STANDARD COLOUR RANGE

- Antique Bronze**
Code: PWST22ABB
- Ash Grey**
Code: PWST22AGB
- Jarrah Brown**
Code: PWST22JHB
- Leeuwin Blue**
Code: PWST22LWB
- Peppermint Green**
Code: PWST22PMB
- Pindan Red**
Code: PWST22PDB
- Rust**
Code: PWST22RUB
- White**
Code: PWST22WHB



NR MARKETING PTY LTD
NOROCK USA LLC

INFO@NO-ROCK.COM
NO-ROCK.COM

SEPTEMBER 2023

All product information is correct at the time of printing but may be subject to change without notice. For the latest information please visit our website.