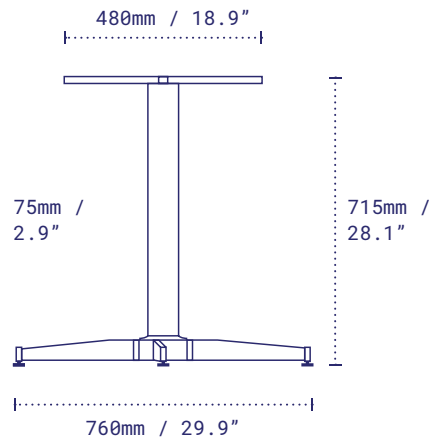


Parkway 30



PWST30[CC*] : DINING HEIGHT



Parkway 30 self-stabilising table base captures an industrial rawness. Angular and architectural, the exposed componentry and minimalist design illustrates the elements - crafted, zinc-plated steel, exposed fasteners and a dichotomous simplicity.

Pictured: Parkway 30 Dining Height, Sandstone Black.

DETAILS

Material	Steel - Zinc Plated Legs, Zinc Phosphate Column and Top Plate
Next-Level Protection also available	Steel - Zinc Plated Legs, Zinc Plated Column, Zinc Phosphate Top Plate
Height excl. table top	715mm / 28.1"
Base diameter	762mm / 30"
Column width	75mm / 2.9"
Top plate	Fixed
Net weight	10.5kg / 23.1lbs
Max recommended table top	<input type="radio"/> 1219mm / 48" <input type="checkbox"/> 1066mm / 42"
Resources	no-rock.com/product/parkway

PACKAGING

Carton	670 x 610 x 100mm / 26.3 x 24.0 x 4" x Box 1
Gross weight	12.0kg / 26.5lbs

STANDARD COLOUR RANGE

- Metallic Silver**
Code: PWST30SI
- Sandstone Black**
Code: PWST30BK

NON-STANDARD COLOUR RANGE

- Antique Bronze**
Code: PWST30AB
- Ash Grey**
Code: PWST30AG
- Jarrah Brown**
Code: PWST30JH
- Leeuwin Blue**
Code: PWST30LW
- Peppermint Green**
Code: PWST30PM
- Pindan Red**
Code: PWST30PD
- Rust**
Code: PWST30RU
- White**
Code: PWST30WH



NR MARKETING PTY LTD
NOROCK USA LLC

INFO@NO-ROCK.COM
NO-ROCK.COM

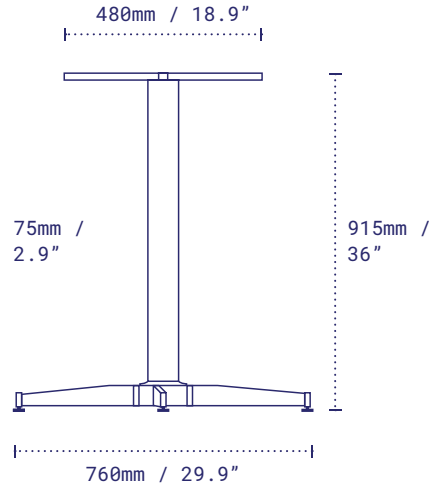
SEPTEMBER 2023

All product information is correct at the time of printing but may be subject to change without notice. For the latest information please visit our website.

Parkway 30



PWST30[CC*]C : COUNTER HEIGHT



Parkway 30 self-stabilising table base captures an industrial rawness. Angular and architectural, the exposed componentry and minimalist design illustrates the elements - crafted, zinc-plated steel, exposed fasteners and a dichotomous simplicity.

Pictured: Parkway 30 Dining Height, Sandstone Black.

DETAILS

Material	Steel - Zinc Plated Legs, Zinc Phosphate Column and Top Plate
Next-Level Protection	Steel - Zinc Plated Legs, Zinc Plated Column, also available Zinc Phosphate Top Plate
Height	915mm / 36" Counter excl. table top
Base diameter	762mm / 30"
Column width	75mm / 2.9"
Top plate	Fixed
Net weight	11.2kg / 24.7lbs
Resources	no-rock.com/product/parkway

PACKAGING

Carton	600 x 670 x 100mm / 23.6 x 26.3 x 3.9" x Box 1 83 x 84 x 900mm / 3.2 x 3.3 x 35.4" x Box 2
Gross weight	13kg / 28.6lbs

STANDARD COLOUR RANGE

- Metallic Silver**
Code: PWST30SIC
- Sandstone Black**
Code: PWST30BK

NON-STANDARD COLOUR RANGE

- Antique Bronze**
Code: PWST30ABC
- Peppermint Green**
Code: PWST30PMC
- Ash Grey**
Code: PWST30AGC
- Pindan Red**
Code: PWST30PDC
- Jarrah Brown**
Code: PWST30JHC
- Rust**
Code: PWST30RUC
- Leeuwin Blue**
Code: PWST30LWC
- White**
Code: PWST30WHC



NR MARKETING PTY LTD
NOROCK USA LLC

INFO@NO-ROCK.COM
NO-ROCK.COM

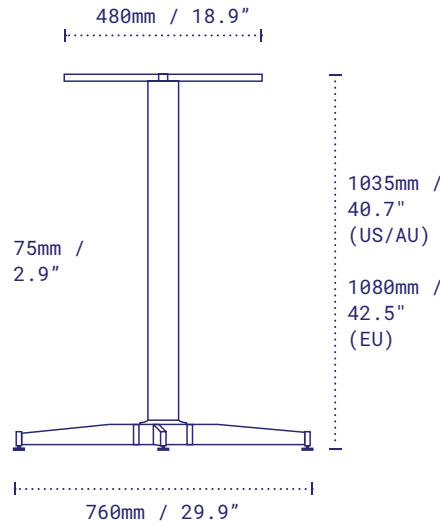
SEPTEMBER 2023

All product information is correct at the time of printing but may be subject to change without notice. For the latest information please visit our website.

Parkway 30



PWST30[CC*]B : BAR HEIGHT



Parkway 30 self-stabilising table base captures an industrial rawness. Angular and architectural, the exposed componentry and minimalist design illustrates the elements - crafted, zinc-plated steel, exposed fasteners and a dichotomous simplicity.

Pictured: Parkway 30 Bar Height, Sandstone Black.

DETAILS

Material	Steel - Zinc Plated Legs, Zinc Phosphate Column and Top Plate
Next-Level Protection	Steel - Zinc Plated Legs, Zinc Plated Column, Zinc Phosphate Top Plate also available
Height	1035mm / 40.7" Bar excl. table top 1080mm / 42.5" Bar (EU only)
Base diameter	762mm / 30"
Column width	75mm / 2.9"
Top plate	Fixed
Net weight	11.7kg / 25.8lbs
Max recommended table top	○ 1066mm / 42" □ 914mm / 36"
Resources	no-rock.com/product/parkway

PACKAGING

Carton	670 x 600 x 100mm / 26.3 x 23.6 x 3.9" x Box 1 83 x 84 x 1050mm / 3.2 x 3.3 x 41.3" x Box 2
Gross weight	13.5kg / 29.7lbs

STANDARD COLOUR RANGE

- Metallic Silver**
Code: PWST30SIB
- Sandstone Black**
Code: PWST30BKB

NON-STANDARD COLOUR RANGE

- Antique Bronze**
Code: PWST30ABB
- Ash Grey**
Code: PWST30AGB
- Jarrah Brown**
Code: PWST30JHB
- Leeuwin Blue**
Code: PWST30LWB
- Peppermint Green**
Code: PWST30PMB
- Pindan Red**
Code: PWST30PDB
- Rust**
Code: PWST30RUB
- White**
Code: PWST30WHB



NR MARKETING PTY LTD
NOROCK USA LLC

INFO@NO-ROCK.COM
NO-ROCK.COM

SEPTEMBER 2023

All product information is correct at the time of printing but may be subject to change without notice. For the latest information please visit our website.