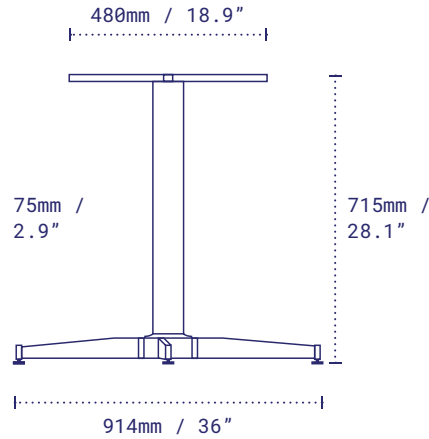


# Parkway 36



PWST36[CC\*] : DINING HEIGHT



Parkway 36 self-stabilising table base captures an industrial rawness. Angular and architectural, the exposed componentry and minimalist design illustrates the elements - crafted, zinc-plated steel, exposed fasteners and a dichotomous simplicity.

Pictured: Parkway 36 Dining Height, Sandstone Black.

## DETAILS

<b>Material</b>	Steel - Zinc Plated Legs, Zinc Phosphate Column and Top Plate
<b>Next-Level Protection</b> also available	Steel - Zinc Plated Legs, Zinc Plated Column, Zinc Phosphate Top Plate
<b>Height</b> excl. table top	715mm / 28.1"
<b>Base diameter</b>	915mm / 36"
<b>Column width</b>	75mm / 2.9"
<b>Top plate</b>	Fixed
<b>Net weight</b>	12.8kg / 28.2lbs
<b>Max recommended table top</b>	<input type="radio"/> 1371mm / 54" <input type="checkbox"/> 1219mm / 48"
<b>Resources</b>	<a href="https://no-rock.com/product/parkway">no-rock.com/product/parkway</a>

## PACKAGING

<b>Carton</b>	770 x 680 x 100mm / 30.3 x 26.7 x 3.9" x Box 1
<b>Gross weight</b>	14.8kg / 32.6lbs

## STANDARD COLOUR RANGE

- Metallic Silver**  
Code: PWST36SI
- Sandstone Black**  
Code: PWST36BK

## NON-STANDARD COLOUR RANGE

- Antique Bronze**  
Code: PWST36AB
- Ash Grey**  
Code: PWST36AG
- Jarrah Brown**  
Code: PWST36JH
- Leeuwin Blue**  
Code: PWST36LW
- Peppermint Green**  
Code: PWST36PM
- Pindan Red**  
Code: PWST36PD
- Rust**  
Code: PWST36RU
- White**  
Code: PWST36WH



NR MARKETING PTY LTD  
NOROCK USA LLC

INFO@NO-ROCK.COM  
NO-ROCK.COM

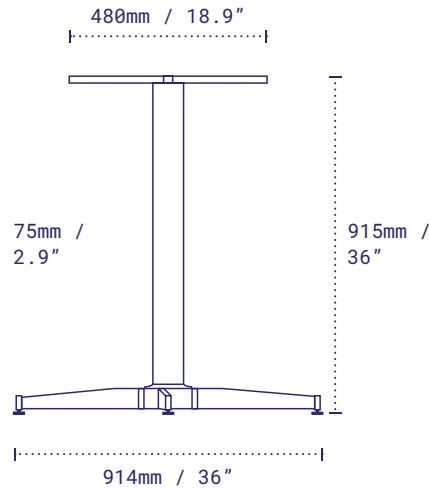
SEPTEMBER 2023

All product information is correct at the time of printing but may be subject to change without notice. For the latest information please visit our website.

# Parkway 36



PWST36[CC\*]C : COUNTER HEIGHT



Parkway 36 self-stabilising table base captures an industrial rawness. Angular and architectural, the exposed componentry and minimalist design illustrates the elements - crafted, zinc-plated steel, exposed fasteners and a dichotomous simplicity.

Pictured: Parkway 36 Dining Height, Sandstone Black.

## DETAILS

<b>Material</b>	Steel - Zinc Plated Legs, Zinc Phosphate Column and Top Plate
<b>Next-Level Protection</b>	Steel - Zinc Plated Legs, Zinc Plated Column, Zinc Phosphate Top Plate also available
<b>Height</b>	915mm / 36" Counter excl. table top
<b>Base diameter</b>	915mm / 36"
<b>Column width</b>	75mm / 2.9"
<b>Top plate</b>	Fixed
<b>Net weight</b>	13.2kg / 29.1lbs
<b>Resources</b>	<a href="https://no-rock.com/product/parkway">no-rock.com/product/parkway</a>

## PACKAGING

<b>Carton</b>	680 x 680 x 100mm / 26.7 x 26.7 x 3.9" x Box 1 83 x 84 x 900mm / 3.2 x 3.3 x 35.4" x Box 2
<b>Gross weight</b>	15.5kg / 34.2lbs

## STANDARD COLOUR RANGE

- Metallic Silver**  
Code: PWST36SIC
- Sandstone Black**  
Code: PWST36BKC

## NON-STANDARD COLOUR RANGE

- Antique Bronze**  
Code: PWST36ABC
- Ash Grey**  
Code: PWST36AGC
- Jarrah Brown**  
Code: PWST36JHC
- Leeuwin Blue**  
Code: PWST36LWC
- Peppermint Green**  
Code: PWST36PMC
- Pindan Red**  
Code: PWST36PDC
- Rust**  
Code: PWST36RUC
- White**  
Code: PWST36WHC



NR MARKETING PTY LTD  
NOROCK USA LLC

INFO@NO-ROCK.COM  
NO-ROCK.COM

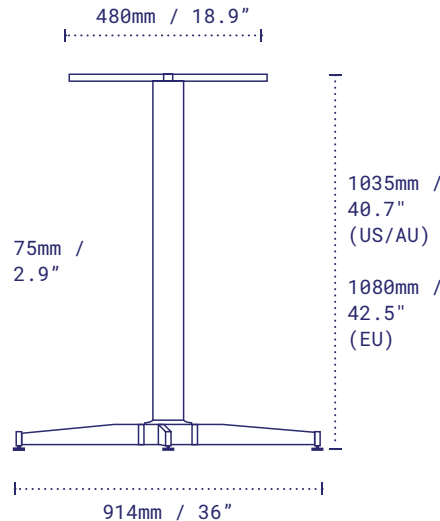
SEPTEMBER 2023

All product information is correct at the time of printing but may be subject to change without notice. For the latest information please visit our website.

# Parkway 36



PWST36[CC\*]B : BAR HEIGHT



Parkway 36 self-stabilising table base captures an industrial rawness. Angular and architectural, the exposed componentry and minimalist design illustrates the elements - crafted, zinc-plated steel, exposed fasteners and a dichotomous simplicity.

Pictured: Parkway 36 Bar Height, Sandstone Black.

## DETAILS

<b>Material</b>	Steel - Zinc Plated Legs, Zinc Phosphate Column and Top Plate
<b>Next-Level Protection</b>	Steel - Zinc Plated Legs, Zinc Plated Column, Zinc Phosphate Top Plate also available
<b>Height</b>	1035mm / 40.7" Bar excl. table top 1080mm / 42.5" Bar (EU only)
<b>Base diameter</b>	915mm / 36"
<b>Column width</b>	75mm / 2.9"
<b>Top plate</b>	Fixed
<b>Net weight</b>	13.7kg / 30.2lbs
<b>Max recommended table top</b>	<input type="radio"/> 1066mm / 42" <input type="checkbox"/> 965mm / 38"
<b>Resources</b>	<a href="https://no-rock.com/product/parkway">no-rock.com/product/parkway</a>

## PACKAGING

<b>Carton</b>	680 x 680 x 100mm / 26.7 x 26.7 x 3.9" x Box 1 83 x 84 x 1020mm / 3.2 x 3.3 x 40.1" x Box 2
<b>Gross weight</b>	16.0kg / 35.3lbs

## STANDARD COLOUR RANGE

- Metallic Silver**  
Code: PWST36SIB
- Sandstone Black**  
Code: PWST36BKB

## NON-STANDARD COLOUR RANGE

- Antique Bronze**  
Code: PWST36ABB
- Ash Grey**  
Code: PWST36AGB
- Jarrah Brown**  
Code: PWST36JHB
- Leeuwin Blue**  
Code: PWST36LWB
- Peppermint Green**  
Code: PWST36PMB
- Pindan Red**  
Code: PWST36PDB
- Rust**  
Code: PWST36RUB
- White**  
Code: PWST36WHB



NR MARKETING PTY LTD  
NOROCK USA LLC

INFO@NO-ROCK.COM  
NO-ROCK.COM

SEPTEMBER 2023

All product information is correct at the time of printing but may be subject to change without notice. For the latest information please visit our website.