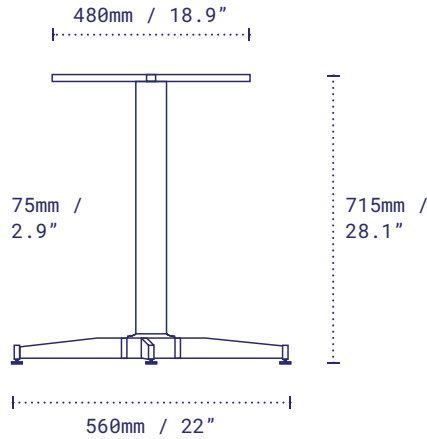


Parkway 22



PWST22[CC*] : DINING HEIGHT



Parkway 22 self-stabilising table base captures an industrial rawness. Angular and architectural, the exposed componentry and minimalist design illustrates the elements - crafted, zinc-plated steel, exposed fasteners and a dichotomous simplicity.

Pictured: Parkway 22 Dining Height, Sandstone Black.

DETAILS

Material	Steel - Zinc Plated Legs, Zinc Phosphate Column, Alodine Top Plate
Next-Level Protection also available	Steel - Zinc Plated Legs, Zinc Plated Column, Alodine Top Plate
Height excl. table top	715mm / 28.1"
Base diameter	560mm / 22"
Column width	75mm / 2.9"
Top plate	Fixed
Net weight	6.7kg / 14.7lbs
Max recommended table top	<input type="radio"/> 860mm / 34" <input type="checkbox"/> 760mm / 30"
Resources	no-rock.com/product/parkway

PACKAGING

Carton	610 x 520 x 100mm / 24.0 x 20.4 x 3.9" x Box 1
Gross weight	7.6kg / 16.7lbs

STANDARD COLOUR RANGE

- Metallic Silver**
Code: PWST22SI
- Sandstone Black**
Code: PWST22BK

NON-STANDARD COLOUR RANGE

- Antique Bronze**
Code: PWST22AB
- Ash Grey**
Code: PWST22AG
- Jarrah Brown**
Code: PWST22JH
- Leeuwin Blue**
Code: PWST22LW
- Peppermint Green**
Code: PWST22PM
- Pindan Red**
Code: PWST22PD
- Rust**
Code: PWST22RU
- White**
Code: PWST22WH



NR MARKETING PTY LTD
NOROCK USA LLC

INFO@NO-ROCK.COM
NO-ROCK.COM

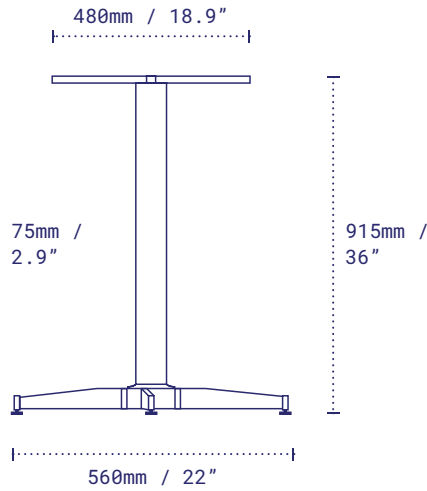
SEPTEMBER 2023

All product information is correct at the time of printing but may be subject to change without notice. For the latest information please visit our website.

Parkway 22



PWST22[CC*]C : COUNTER HEIGHT



Parkway 22 self-stabilising table base captures an industrial rawness. Angular and architectural, the exposed componentry and minimalist design illustrates the elements - crafted, zinc-plated steel, exposed fasteners and a dichotomous simplicity.

Pictured: Parkway 22 Dining Height, Sandstone Black.

DETAILS

Material	Steel - Zinc Plated Legs, Zinc Phosphate Column, Alodine Top Plate
Next-Level Protection also available	Steel - Zinc Plated Legs, Zinc Plated Column, Alodine Top Plate
Height	915mm / 36" Counter excl. table top
Base diameter	560mm / 22"
Column width	75mm / 2.9"
Top plate	Fixed
Net weight	7.4kg / 16.3lbs
Resources	no-rock.com/product/parkway

PACKAGING

Carton	440 x 440 x 100mm / 17.3 x 17.3 x 3.9" 83 x 84 x 900mm / 3.2 x 3.3 x 35.4" x Box 2
Gross weight	8.5kg / 18.7lbs

STANDARD COLOUR RANGE

- Metallic Silver**
Code: PWST22SIC
- Sandstone Black**
Code: PWST22BKC

NON-STANDARD COLOUR RANGE

- Antique Bronze**
Code: PWST22ABC
- Peppermint Green**
Code: PWST22PMC
- Ash Grey**
Code: PWST22AGC
- Pindan Red**
Code: PWST22PDC
- Jarrah Brown**
Code: PWST22JHC
- Rust**
Code: PWST22RUC
- Leeuwin Blue**
Code: PWST22LWC
- White**
Code: PWST22WHC



NR MARKETING PTY LTD
NOROCK USA LLC

INFO@NO-ROCK.COM
NO-ROCK.COM

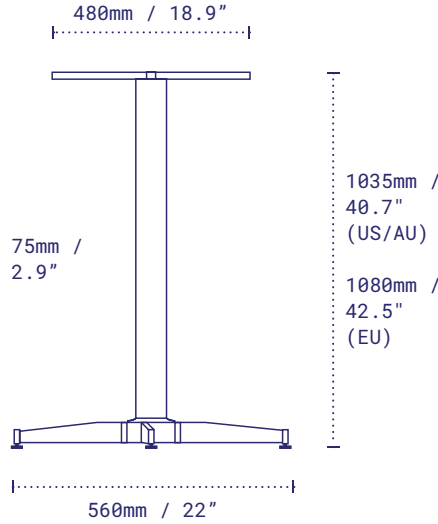
SEPTEMBER 2023

All product information is correct at the time of printing but may be subject to change without notice. For the latest information please visit our website.

Parkway 22



PWST22[CC*]B : BAR HEIGHT



Parkway 22 self-stabilising table base captures an industrial rawness. Angular and architectural, the exposed componentry and minimalist design illustrates the elements - crafted, zinc-plated steel, exposed fasteners and a dichotomous simplicity.

Pictured: Parkway 22 Bar Height, Sandstone Black.

DETAILS

Material	Steel - Zinc Plated Legs, Zinc Phosphate Column, Alodine Top Plate
Next-Level Protection also available	Steel - Zinc Plated Legs, Zinc Plated Column, Alodine Top Plate
Height excl. table top	1035mm / 40.7" Bar 1080mm / 42.5" Bar (EU only)
Base diameter	560mm / 22"
Column width	75mm / 2.9"
Top plate	Fixed
Net weight	7.8kg / 17.3lbs
Max recommended table top	<input type="radio"/> 760mm / 30" <input type="checkbox"/> 600mm / 24"
Resources	no-rock.com/product/parkway

PACKAGING

Carton	510 x 510 x 100mm / 20.0 x 20.0 x 3.9" x Box 1 83 x 84 x 1050mm / 3.2 x 3.3 x 41.3" x Box 2
Gross weight	9.0kg / 19.8lbs

STANDARD COLOUR RANGE

- Metallic Silver**
Code: PWST22SIB
- Sandstone Black**
Code: PWST22BKB

NON-STANDARD COLOUR RANGE

- Antique Bronze**
Code: PWST22ABB
- Ash Grey**
Code: PWST22AGB
- Jarrah Brown**
Code: PWST22JHB
- Leeuwin Blue**
Code: PWST22LWB
- Peppermint Green**
Code: PWST22PMB
- Pindan Red**
Code: PWST22PDB
- Rust**
Code: PWST22RUB
- White**
Code: PWST22WHB



NR MARKETING PTY LTD
NOROCK USA LLC

INFO@NO-ROCK.COM
NO-ROCK.COM

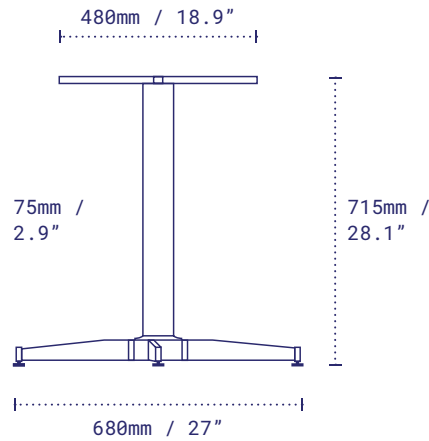
SEPTEMBER 2023

All product information is correct at the time of printing but may be subject to change without notice. For the latest information please visit our website.

Parkway 27



PWST27[CC*] : DINING HEIGHT



Parkway 27 self-stabilising table base captures an industrial rawness. Angular and architectural, the exposed componentry and minimalist design illustrates the elements - crafted, zinc-plated steel, exposed fasteners and a dichotomous simplicity.

Pictured: Parkway 27 Dining Height, Sandstone Black.

DETAILS

Material	Steel - Zinc Plated Legs, Zinc Phosphate Column, Alodine Top Plate
Next-Level Protection also available	Steel - Zinc Plated Legs, Zinc Plated Column, Alodine Top Plate
Height excl. table top	715mm / 28.1"
Base diameter	680mm / 27"
Column width	75mm / 2.9"
Top plate	Fixed
Net weight	7.2kg / 15.8lbs
Max recommended table top	<input type="radio"/> 1066mm / 42" <input type="checkbox"/> 914mm / 36"
Resources	no-rock.com/product/parkway

PACKAGING

Carton	610 x 600 x 100mm / 24.0 x 23.6 x 3.9" x Box 1
Gross weight	8.4kg / 18.5lbs

STANDARD COLOUR RANGE

- Metallic Silver**
Code: PWST27SI
- Sandstone Black**
Code: PWST27BK

NON-STANDARD COLOUR RANGE

- Antique Bronze**
Code: PWST27AB
- Ash Grey**
Code: PWST27AG
- Jarrah Brown**
Code: PWST27JH
- Leeuwin Blue**
Code: PWST27LW
- Peppermint Green**
Code: PWST27PM
- Pindan Red**
Code: PWST27PD
- Rust**
Code: PWST27RU
- White**
Code: PWST27WH



NR MARKETING PTY LTD
NOROCK USA LLC

INFO@NO-ROCK.COM
NO-ROCK.COM

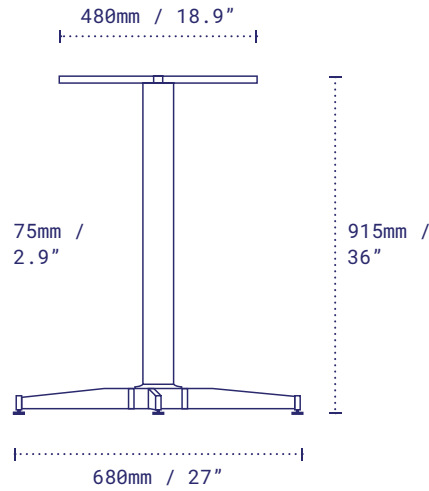
SEPTEMBER 2023

All product information is correct at the time of printing but may be subject to change without notice. For the latest information please visit our website.

Parkway 27



PWST27[CC*]C : COUNTER HEIGHT



Parkway 27 self-stabilising table base captures an industrial rawness. Angular and architectural, the exposed componentry and minimalist design illustrates the elements - crafted, zinc-plated steel, exposed fasteners and a dichotomous simplicity.

Pictured: Parkway 27 Dining Height, Sandstone Black.

DETAILS

Material	Steel - Zinc Plated Legs, Zinc Phosphate Column, Alodine Top Plate
Next-Level Protection also available	Steel - Zinc Plated Legs, Zinc Plated Column, Alodine Top Plate
Height excl. table top	915mm / 36" Counter
Base diameter	680mm / 27"
Column width	75mm / 2.9"
Top plate	Fixed
Net weight	7.8kg / 17.3lbs
Resources	no-rock.com/product/parkway

PACKAGING

Carton	510 x 510 x 100mm / 20.0 x 20.0 x 3.9" x Box 1 83 x 84 x 900mm / 3.2 x 3.3 x 35.4" x Box 2
Gross weight	9.0kg / 19.8lbs

STANDARD COLOUR RANGE

- Metallic Silver**
Code: PWST27SIC
- Sandstone Black**
Code: PWST27BKC

NON-STANDARD COLOUR RANGE

- Antique Bronze**
Code: PWST27ABC
- Peppermint Green**
Code: PWST27PMC
- Ash Grey**
Code: PWST27AGC
- Pindan Red**
Code: PWST27PDC
- Jarrah Brown**
Code: PWST27JHC
- Rust**
Code: PWST27RUC
- Leeuwin Blue**
Code: PWST27LWC
- White**
Code: PWST27WHC



NR MARKETING PTY LTD
NOROCK USA LLC

INFO@NO-ROCK.COM
NO-ROCK.COM

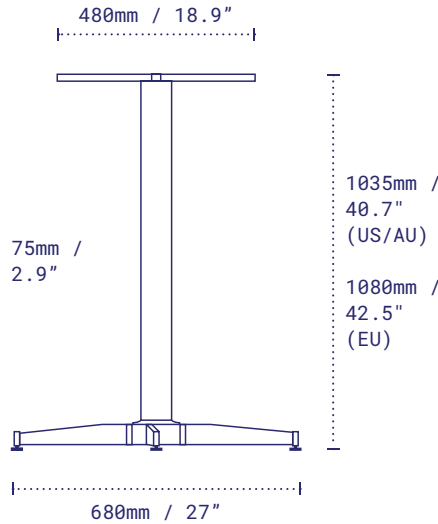
SEPTEMBER 2023

All product information is correct at the time of printing but may be subject to change without notice. For the latest information please visit our website.

Parkway 27



PWST27[CC*]B : BAR HEIGHT



Parkway 27 self-stabilising table base captures an industrial rawness. Angular and architectural, the exposed componentry and minimalist design illustrates the elements - crafted, zinc-plated steel, exposed fasteners and a dichotomous simplicity.

Pictured: Parkway 27 Bar Height, Sandstone Black.

DETAILS

Material	Steel - Zinc Plated Legs, Zinc Phosphate Column, Alodine Top Plate
Next-Level Protection also available	Steel - Zinc Plated Legs, Zinc Plated Column, Alodine Top Plate
Height excl. table top	1035mm / 40.7" Bar 1080mm / 42.5" Bar (EU only)
Base diameter	680mm / 27"
Column width	75mm / 2.9"
Top plate	Fixed
Net weight	8.4kg / 18.5lbs
Max recommended table top	○ 914mm / 36" □ 762mm / 30"
Resources	no-rock.com/product/parkway

PACKAGING

Carton	510 x 510 x 100mm / 20.0 x 20.0 x 3.9" x Box 1 83 x 84 x 1050mm / 3.2 x 3.3 x 41.3" x Box 2
Gross weight	9.6kg / 21.2lbs

STANDARD COLOUR RANGE

- Metallic Silver**
Code: PWST27SIB
- Sandstone Black**
Code: PWST27BKB

NON-STANDARD COLOUR RANGE

- Antique Bronze**
Code: PWST27ABB
- Ash Grey**
Code: PWST27AGB
- Jarrah Brown**
Code: PWST27JHB
- Leeuwin Blue**
Code: PWST27LWB
- Peppermint Green**
Code: PWST27PMB
- Pindan Red**
Code: PWST27PDB
- Rust**
Code: PWST27RUB
- White**
Code: PWST27WHB



NR MARKETING PTY LTD
NOROCK USA LLC

INFO@NO-ROCK.COM
NO-ROCK.COM

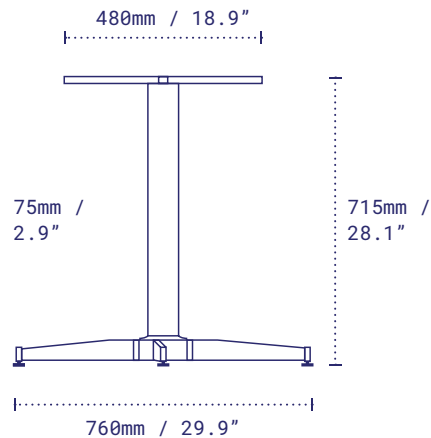
SEPTEMBER 2023

All product information is correct at the time of printing but may be subject to change without notice. For the latest information please visit our website.

Parkway 30



PWST30[CC*] : DINING HEIGHT



Parkway 30 self-stabilising table base captures an industrial rawness. Angular and architectural, the exposed componentry and minimalist design illustrates the elements - crafted, zinc-plated steel, exposed fasteners and a dichotomous simplicity.

Pictured: Parkway 30 Dining Height, Sandstone Black.

DETAILS

Material	Steel - Zinc Plated Legs, Zinc Phosphate Column and Top Plate
Next-Level Protection also available	Steel - Zinc Plated Legs, Zinc Plated Column, Zinc Phosphate Top Plate
Height excl. table top	715mm / 28.1"
Base diameter	762mm / 30"
Column width	75mm / 2.9"
Top plate	Fixed
Net weight	10.5kg / 23.1lbs
Max recommended table top	<input type="radio"/> 1219mm / 48" <input type="checkbox"/> 1066mm / 42"
Resources	no-rock.com/product/parkway

PACKAGING

Carton	670 x 610 x 100mm / 26.3 x 24.0 x 4" x Box 1
Gross weight	12.0kg / 26.5lbs

STANDARD COLOUR RANGE

- Metallic Silver**
Code: PWST30SI
- Sandstone Black**
Code: PWST30BK

NON-STANDARD COLOUR RANGE

- Antique Bronze**
Code: PWST30AB
- Ash Grey**
Code: PWST30AG
- Jarrah Brown**
Code: PWST30JH
- Leeuwin Blue**
Code: PWST30LW
- Peppermint Green**
Code: PWST30PM
- Pindan Red**
Code: PWST30PD
- Rust**
Code: PWST30RU
- White**
Code: PWST30WH



NR MARKETING PTY LTD
NOROCK USA LLC

INFO@NO-ROCK.COM
NO-ROCK.COM

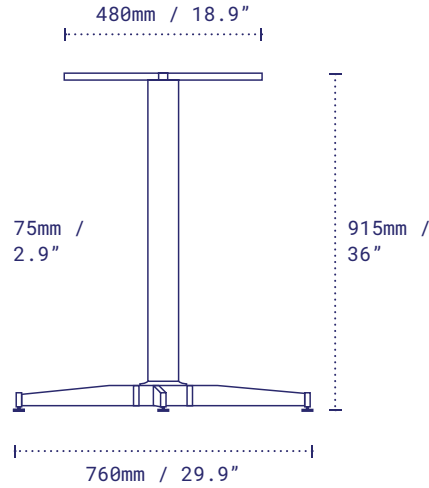
SEPTEMBER 2023

All product information is correct at the time of printing but may be subject to change without notice. For the latest information please visit our website.

Parkway 30



PWST30[CC*]C : COUNTER HEIGHT



Parkway 30 self-stabilising table base captures an industrial rawness. Angular and architectural, the exposed componentry and minimalist design illustrates the elements - crafted, zinc-plated steel, exposed fasteners and a dichotomous simplicity.

Pictured: Parkway 30 Dining Height, Sandstone Black.

DETAILS

Material	Steel - Zinc Plated Legs, Zinc Phosphate Column and Top Plate
Next-Level Protection	Steel - Zinc Plated Legs, Zinc Plated Column, also available Zinc Phosphate Top Plate
Height	915mm / 36" Counter excl. table top
Base diameter	762mm / 30"
Column width	75mm / 2.9"
Top plate	Fixed
Net weight	11.2kg / 24.7lbs
Resources	no-rock.com/product/parkway

PACKAGING

Carton	600 x 670 x 100mm / 23.6 x 26.3 x 3.9" x Box 1 83 x 84 x 900mm / 3.2 x 3.3 x 35.4" x Box 2
Gross weight	13kg / 28.6lbs

STANDARD COLOUR RANGE

- Metallic Silver**
Code: PWST30SIC
- Sandstone Black**
Code: PWST30BK

NON-STANDARD COLOUR RANGE

- Antique Bronze**
Code: PWST30ABC
- Peppermint Green**
Code: PWST30PMC
- Ash Grey**
Code: PWST30AGC
- Pindan Red**
Code: PWST30PDC
- Jarrah Brown**
Code: PWST30JHC
- Rust**
Code: PWST30RUC
- Leeuwin Blue**
Code: PWST30LWC
- White**
Code: PWST30WHC



NR MARKETING PTY LTD
NOROCK USA LLC

INFO@NO-ROCK.COM
NO-ROCK.COM

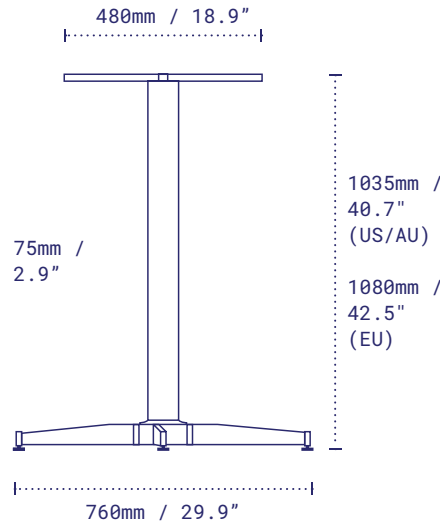
SEPTEMBER 2023

All product information is correct at the time of printing but may be subject to change without notice. For the latest information please visit our website.

Parkway 30



PWST30[CC*]B : BAR HEIGHT



Parkway 30 self-stabilising table base captures an industrial rawness. Angular and architectural, the exposed componentry and minimalist design illustrates the elements - crafted, zinc-plated steel, exposed fasteners and a dichotomous simplicity.

Pictured: Parkway 30 Bar Height, Sandstone Black.

DETAILS

Material	Steel - Zinc Plated Legs, Zinc Phosphate Column and Top Plate
Next-Level Protection	Steel - Zinc Plated Legs, Zinc Plated Column, Zinc Phosphate Top Plate also available
Height	1035mm / 40.7" Bar excl. table top 1080mm / 42.5" Bar (EU only)
Base diameter	762mm / 30"
Column width	75mm / 2.9"
Top plate	Fixed
Net weight	11.7kg / 25.8lbs
Max recommended table top	<input type="radio"/> 1066mm / 42" <input type="checkbox"/> 914mm / 36"
Resources	no-rock.com/product/parkway

PACKAGING

Carton	670 x 600 x 100mm / 26.3 x 23.6 x 3.9" x Box 1 83 x 84 x 1050mm / 3.2 x 3.3 x 41.3" x Box 2
Gross weight	13.5kg / 29.7lbs

STANDARD COLOUR RANGE

- Metallic Silver**
Code: PWST30SIB
- Sandstone Black**
Code: PWST30BKB

NON-STANDARD COLOUR RANGE

- Antique Bronze**
Code: PWST30ABB
- Ash Grey**
Code: PWST30AGB
- Jarrah Brown**
Code: PWST30JHB
- Leeuwin Blue**
Code: PWST30LWB
- Peppermint Green**
Code: PWST30PMB
- Pindan Red**
Code: PWST30PDB
- Rust**
Code: PWST30RUB
- White**
Code: PWST30WHB



NR MARKETING PTY LTD
NOROCK USA LLC

INFO@NO-ROCK.COM
NO-ROCK.COM

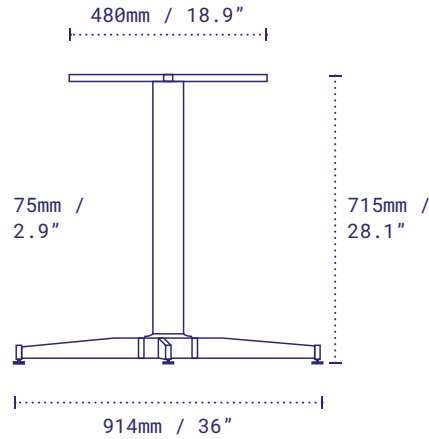
SEPTEMBER 2023

All product information is correct at the time of printing but may be subject to change without notice. For the latest information please visit our website.

Parkway 36



PWST36[CC*] : DINING HEIGHT



Parkway 36 self-stabilising table base captures an industrial rawness. Angular and architectural, the exposed componentry and minimalist design illustrates the elements - crafted, zinc-plated steel, exposed fasteners and a dichotomous simplicity.

Pictured: Parkway 36 Dining Height, Sandstone Black.

DETAILS

Material	Steel - Zinc Plated Legs, Zinc Phosphate Column and Top Plate
Next-Level Protection also available	Steel - Zinc Plated Legs, Zinc Plated Column, Zinc Phosphate Top Plate
Height excl. table top	715mm / 28.1"
Base diameter	915mm / 36"
Column width	75mm / 2.9"
Top plate	Fixed
Net weight	12.8kg / 28.2lbs
Max recommended table top	<input type="radio"/> 1371mm / 54" <input type="checkbox"/> 1219mm / 48"
Resources	no-rock.com/product/parkway

PACKAGING

Carton	770 x 680 x 100mm / 30.3 x 26.7 x 3.9" x Box 1
Gross weight	14.8kg / 32.6lbs

STANDARD COLOUR RANGE

- Metallic Silver**
Code: PWST36SI
- Sandstone Black**
Code: PWST36BK

NON-STANDARD COLOUR RANGE

- Antique Bronze**
Code: PWST36AB
- Ash Grey**
Code: PWST36AG
- Jarrah Brown**
Code: PWST36JH
- Leeuwin Blue**
Code: PWST36LW
- Peppermint Green**
Code: PWST36PM
- Pindan Red**
Code: PWST36PD
- Rust**
Code: PWST36RU
- White**
Code: PWST36WH



NR MARKETING PTY LTD
NOROCK USA LLC

INFO@NO-ROCK.COM
NO-ROCK.COM

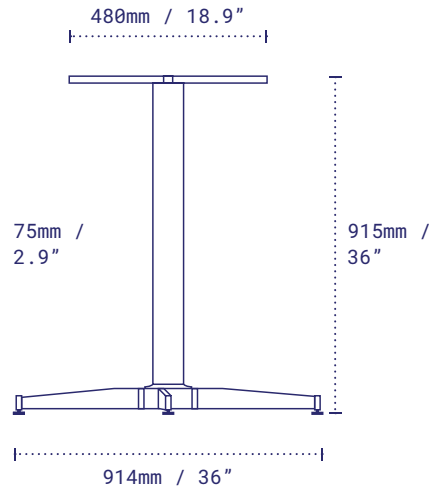
SEPTEMBER 2023

All product information is correct at the time of printing but may be subject to change without notice. For the latest information please visit our website.

Parkway 36



PWST36[CC*]C : COUNTER HEIGHT



Parkway 36 self-stabilising table base captures an industrial rawness. Angular and architectural, the exposed componentry and minimalist design illustrates the elements - crafted, zinc-plated steel, exposed fasteners and a dichotomous simplicity.

Pictured: Parkway 36 Dining Height, Sandstone Black.

DETAILS

Material	Steel - Zinc Plated Legs, Zinc Phosphate Column and Top Plate
Next-Level Protection	Steel - Zinc Plated Legs, Zinc Plated Column, also available Zinc Phosphate Top Plate
Height	915mm / 36" Counter excl. table top
Base diameter	915mm / 36"
Column width	75mm / 2.9"
Top plate	Fixed
Net weight	13.2kg / 29.1lbs
Resources	no-rock.com/product/parkway

PACKAGING

Carton	680 x 680 x 100mm / 26.7 x 26.7 x 3.9" x Box 1 83 x 84 x 900mm / 3.2 x 3.3 x 35.4" x Box 2
Gross weight	15.5kg / 34.2lbs

STANDARD COLOUR RANGE

- Metallic Silver**
Code: PWST36SIC
- Sandstone Black**
Code: PWST36BKC

NON-STANDARD COLOUR RANGE

- Antique Bronze**
Code: PWST36ABC
- Ash Grey**
Code: PWST36AGC
- Jarrah Brown**
Code: PWST36JHC
- Leeuwin Blue**
Code: PWST36LWC
- Peppermint Green**
Code: PWST36PMC
- Pindan Red**
Code: PWST36PDC
- Rust**
Code: PWST36RUC
- White**
Code: PWST36WHC



NR MARKETING PTY LTD
NOROCK USA LLC

INFO@NO-ROCK.COM
NO-ROCK.COM

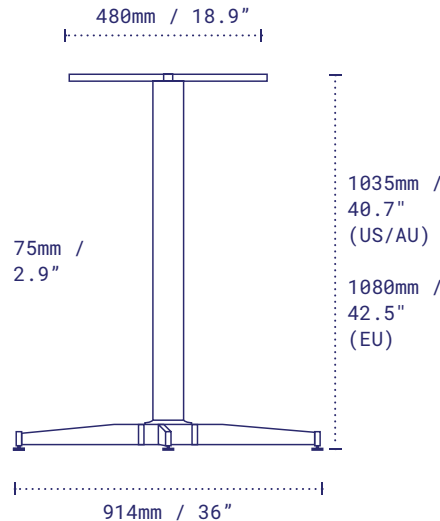
SEPTEMBER 2023

All product information is correct at the time of printing but may be subject to change without notice. For the latest information please visit our website.

Parkway 36



PWST36[CC*]B : BAR HEIGHT



Parkway 36 self-stabilising table base captures an industrial rawness. Angular and architectural, the exposed componentry and minimalist design illustrates the elements - crafted, zinc-plated steel, exposed fasteners and a dichotomous simplicity.

Pictured: Parkway 36 Bar Height, Sandstone Black.

DETAILS

Material	Steel - Zinc Plated Legs, Zinc Phosphate Column and Top Plate
Next-Level Protection	Steel - Zinc Plated Legs, Zinc Plated Column, Zinc Phosphate Top Plate also available
Height	1035mm / 40.7" Bar excl. table top 1080mm / 42.5" Bar (EU only)
Base diameter	915mm / 36"
Column width	75mm / 2.9"
Top plate	Fixed
Net weight	13.7kg / 30.2lbs
Max recommended table top	<input type="radio"/> 1066mm / 42" <input type="checkbox"/> 965mm / 38"
Resources	no-rock.com/product/parkway

PACKAGING

Carton	680 x 680 x 100mm / 26.7 x 26.7 x 3.9" x Box 1 83 x 84 x 1020mm / 3.2 x 3.3 x 40.1" x Box 2
Gross weight	16.0kg / 35.3lbs

STANDARD COLOUR RANGE

- Metallic Silver**
Code: PWST36SIB
- Sandstone Black**
Code: PWST36BKB

NON-STANDARD COLOUR RANGE

- Antique Bronze**
Code: PWST36ABB
- Ash Grey**
Code: PWST36AGB
- Jarrah Brown**
Code: PWST36JHB
- Leeuwin Blue**
Code: PWST36LWB
- Peppermint Green**
Code: PWST36PMB
- Pindan Red**
Code: PWST36PDB
- Rust**
Code: PWST36RUB
- White**
Code: PWST36WHB



NR MARKETING PTY LTD
NOROCK USA LLC

INFO@NO-ROCK.COM
NO-ROCK.COM

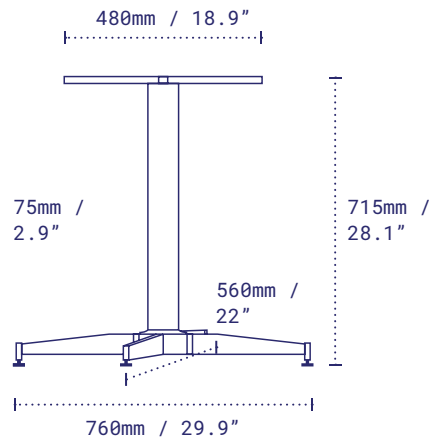
SEPTEMBER 2023

All product information is correct at the time of printing but may be subject to change without notice. For the latest information please visit our website.

Parkway 22x30



PWST2230[CC*] : DINING HEIGHT



Pictured: Parkway 22x30 Dining Height, Sandstone Black.

The Parkway 22x30 is your answer to booth seating while ensuring stability. Parkway 22x30 is angular and architectural with exposed componentry and is perfect for rectangular table tops.

DETAILS

Material	Steel – Zinc Plated Legs, Zinc Phosphate Column and Top Plate
Next-Level Protection	Steel – Zinc Plated Legs, Zinc Plated Column, also available Zinc Phosphate Top Plate
Height	715mm / 28.1" excl. table top
Base diameter	560 x 762mm / 22 x 30"
Column width	75mm / 2.9"
Top plate	Fixed
Net weight	10.7kg / 23.6lbs
Max recommended table top	700 x 1220mm - 28 x 48"
Resources	no-rock.com/product/parkway

PACKAGING

Carton	570 x 680 x 100mm / 22.4 x 26.7 x 3.9" x Box 1
Gross weight	12.9kg / 28.4lbs

STANDARD COLOUR RANGE

- Metallic Silver**
Code: PWST2230SI
- Sandstone Black**
Code: PWST2230BK

NON-STANDARD COLOUR RANGE

- Antique Bronze**
Code: PWST2230AB
- Ash Grey**
Code: PWST2230AG
- Jarrah Brown**
Code: PWST2230JH
- Leeuwin Blue**
Code: PWST2230LW
- Peppermint Green**
Code: PWST2230PM
- Pindan Red**
Code: PWST2230PD
- Rust**
Code: PWST2230RU
- White**
Code: PWST2230WH



NR MARKETING PTY LTD
NOROCK USA LLC

INFO@NO-ROCK.COM
NO-ROCK.COM

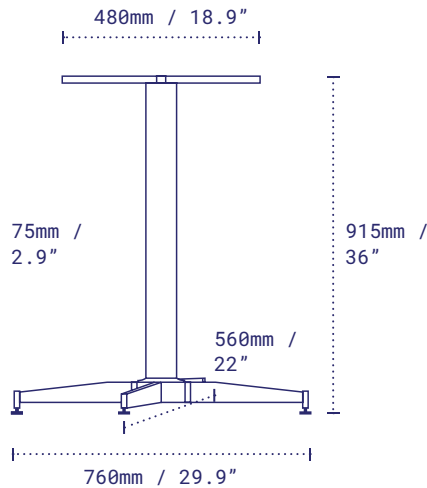
SEPTEMBER 2023

All product information is correct at the time of printing but may be subject to change without notice. For the latest information please visit our website.

Parkway 22x30



PWST2230[CC*]C : COUNTER HEIGHT



Pictured: Parkway 22x30 Dining Height, Sandstone Black.

The Parkway 22x30 is your answer to booth seating while ensuring stability. Parkway 22x30 is angular and architectural with exposed componentry and is perfect for rectangular table tops.

DETAILS

Material	Steel – Zinc Plated Legs, Zinc Phosphate Column and Top Plate
Next-Level Protection	Steel – Zinc Plated Legs, Zinc Plated Column, also available Zinc Phosphate Top Plate
Height	915mm / 36" Counter excl. table top
Base diameter	560 x 762mm / 22 x 30"
Column width	75mm / 2.9"
Top plate	Fixed
Net weight	11.2kg / 24.7lbs
Resources	no-rock.com/product/parkway

PACKAGING

Carton	570 x 800 x 100mm / 22 x 32 x 4" x Box 1 83 x 84 x 795mm / 3.2 x 3.3 x 31.2" x Box 2
Gross weight	12.4kg / 27.3lbs

STANDARD COLOUR RANGE

- Metallic Silver**
Code: PWST2230SIC
- Sandstone Black**
Code: PWST2230BKC

NON-STANDARD COLOUR RANGE

- Antique Bronze**
Code: PWST2230ABC
- Ash Grey**
Code: PWST2230AGC
- Jarrah Brown**
Code: PWST2230JHC
- Leeuwin Blue**
Code: PWST2230LWC
- Peppermint Green**
Code: PWST2230PMC
- Pindan Red**
Code: PWST2230PDC
- Rust**
Code: PWST2230RUC
- White**
Code: PWST2230WHC



NR MARKETING PTY LTD
NOROCK USA LLC

INFO@NO-ROCK.COM
NO-ROCK.COM

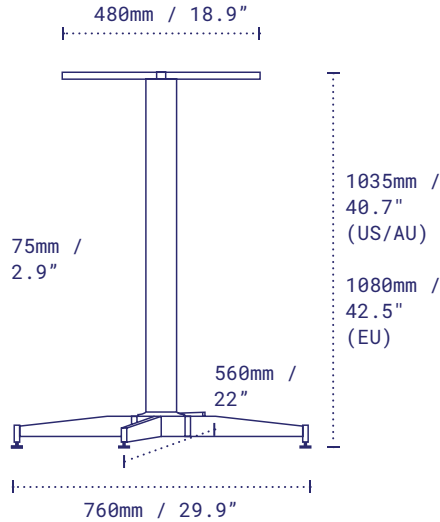
SEPTEMBER 2023

All product information is correct at the time of printing but may be subject to change without notice. For the latest information please visit our website.

Parkway 22x30



PWST2230[CC*]B : BAR HEIGHT



The Parkway 22x30 is your answer to booth seating while ensuring stability. Parkway 22x30 is angular and architectural with exposed componentry and is perfect for rectangular table tops.

Pictured: Parkway 22x30 Dining Height, Sandstone Black.

DETAILS

Material	Steel – Zinc Plated Legs, Zinc Phosphate Column and Top Plate
Next-Level Protection	Steel – Zinc Plated Legs, Zinc Plated Column, also available Zinc Phosphate Top Plate
Height	1035mm / 40.7" Bar excl. table top 1080mm / 42.5" Bar (EU only)
Base diameter	560 x 762mm / 22 x 30"
Column width	75mm / 2.9"
Top plate	Fixed
Net weight	11.4kg / 25.2lbs
Max recommended table top	609 x 914mm / 24 x 36"
Resources	no-rock.com/product/parkway

PACKAGING

Carton	470 x 680 x 100mm / 19 x 27 x 4" x Box 1 83 x 84 x 1050mm / 3 x 3 x 41" x Box 2
Gross weight	12.7kg / 27.9lbs

STANDARD COLOUR RANGE

- Metallic Silver**
Code: PWST2230SIB
- Sandstone Black**
Code: PWST2230BKB

NON-STANDARD COLOUR RANGE

- Antique Bronze**
Code: PWST2230ABB
- Ash Grey**
Code: PWST2230AGB
- Jarrah Brown**
Code: PWST2230JHB
- Leeuwin Blue**
Code: PWST2230LWB
- Peppermint Green**
Code: PWST2230PMB
- Pindan Red**
Code: PWST2230PDB
- Rust**
Code: PWST2230RUB
- White**
Code: PWST2230WHB



NR MARKETING PTY LTD
NOROCK USA LLC

INFO@NO-ROCK.COM
NO-ROCK.COM

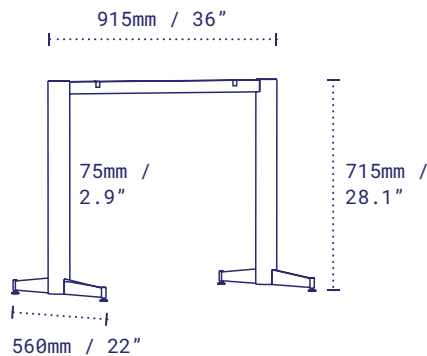
SEPTEMBER 2023

All product information is correct at the time of printing but may be subject to change without notice. For the latest information please visit our website.

Parkway T-Base



PTST22[CC*] : DINING HEIGHT



The NOROCK Parkway T-Base captures an industrial rawness. Angular and architectural, this popular base is now available in a twin. Perfect for your larger, rectangular tabletops and featuring our patented self-stabilising technology, the Parkway T-Base is compliant with the Americans with Disabilities Act Standards for Accessible Design (ADA).

Pictured: Parkway T-Base Dining Height, Sandstone Black.

DETAILS

Material	Steel – Zinc Plated Legs and Columns, Zinc Phosphate Frame, Zinc Phosphate Top Plates
Next-Level Protection also available	Steel – Zinc Plated Legs, Zinc Plated Column, Zinc Phosphate Top Plate
Height excl. table top	715mm / 28.1"
Base diameter	915 x 560mm / 36 x 22"
Column width	75mm / 2.9"
Top plate	Fixed
Net weight	19.5kg / 42.9lbs
Max recommended table top	812 x 1676mm / 32 x 66"
Resources	no-rock.com/product/parkway-t-base

PACKAGING

Carton	930 x 730 x 110mm / 36.6 x 28.7 x 4.3" x Box 1
Gross weight	21.4kg / 47.2lbs

STANDARD COLOUR RANGE

- Metallic Silver**
Code: PTST22SI
- Sandstone Black**
Code: PTST22BK

NON-STANDARD COLOUR RANGE

- Antique Bronze**
Code: PTST22AB
- Ash Grey**
Code: PTST22AG
- Jarrah Brown**
Code: PTST22JH
- Leeuwin Blue**
Code: PTST22LW
- Peppermint Green**
Code: PTST22PM
- Pindan Red**
Code: PTST22PD
- Rust**
Code: PTST22RU
- White**
Code: PTST22WH



NR MARKETING PTY LTD
NOROCK USA LLC

INFO@NO-ROCK.COM
NO-ROCK.COM

SEPTEMBER 2023

All product information is correct at the time of printing but may be subject to change without notice. For the latest information please visit our website.