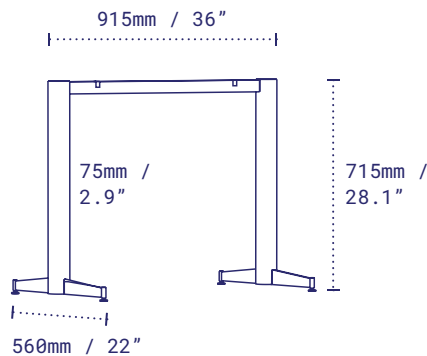


# Parkway T-Base



PTST22[CC\*] : DINING HEIGHT



The NOROCK Parkway T-Base captures an industrial rawness. Angular and architectural, this popular base is now available in a twin. Perfect for your larger, rectangular tabletops and featuring our patented self-stabilising technology, the Parkway T-Base is compliant with the Americans with Disabilities Act Standards for Accessible Design (ADA).

Pictured: Parkway T-Base Dining Height, Sandstone Black.

## DETAILS

<b>Material</b>	Steel – Zinc Plated Legs and Columns, Zinc Phosphate Frame, Zinc Phosphate Top Plates
<b>Next-Level Protection</b> also available	Steel – Zinc Plated Legs, Zinc Plated Column, Zinc Phosphate Top Plate
<b>Height</b> excl. table top	715mm / 28.1"
<b>Base diameter</b>	915 x 560mm / 36 x 22"
<b>Column width</b>	75mm / 2.9"
<b>Top plate</b>	Fixed
<b>Net weight</b>	19.5kg / 42.9lbs
<b>Max recommended table top</b>	812 x 1676mm / 32 x 66"
<b>Resources</b>	<a href="https://no-rock.com/product/parkway-t-base">no-rock.com/product/parkway-t-base</a>

## PACKAGING

<b>Carton</b>	930 x 730 x 110mm / 36.6 x 28.7 x 4.3" x Box 1
<b>Gross weight</b>	21.4kg / 47.2lbs

## STANDARD COLOUR RANGE

- Metallic Silver**  
Code: PTST22SI
- Sandstone Black**  
Code: PTST22BK

## NON-STANDARD COLOUR RANGE

- Antique Bronze**  
Code: PTST22AB
- Ash Grey**  
Code: PTST22AG
- Jarrah Brown**  
Code: PTST22JH
- Leeuwin Blue**  
Code: PTST22LW
- Peppermint Green**  
Code: PTST22PM
- Pindan Red**  
Code: PTST22PD
- Rust**  
Code: PTST22RU
- White**  
Code: PTST22WH



NR MARKETING PTY LTD  
NOROCK USA LLC

INFO@NO-ROCK.COM  
NO-ROCK.COM

SEPTEMBER 2023

All product information is correct at the time of printing but may be subject to change without notice. For the latest information please visit our website.