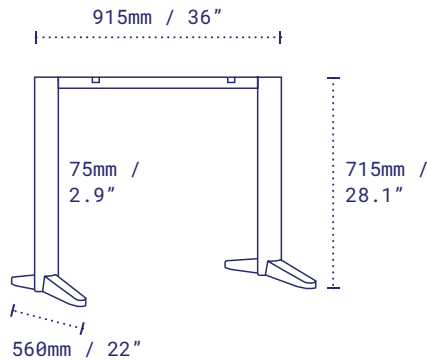


Trail T-Base



TTST22[CC*] : DINING HEIGHT



The Trail twin table base offers the NOROCK patented self-stabilising function for your larger, rectangular tabletops. Perfectly matches with all Trail bases and complementing other NOROCK designs. The Trail T-Base is compliant with the Americans with Disabilities Act Standards for Accessible Design (ADA).

Pictured: Trail T-Base Dining Height, Sandstone Black.

DETAILS

Material	Steel – Zinc Plated Legs and Columns, Zinc Phosphate Frame, Zinc Phosphate Top Plates
Next-Level Protection also available	Steel – Zinc Plated Legs and Columns, Zinc Phosphate Frame, Zinc Phosphate Top Plates
Height excl. table top	715mm / 28.1"
Base diameter	915 x 560mm / 36 x 22"
Column width	75mm / 2.9"
Top plate	Fixed
Net weight	17.6kg / 38.8lbs
Max recommended table top	812 x 1676mm / 32 x 66"
Resources	no-rock.com/product/trail-t-base

PACKAGING

Carton	930 x 730 x 110mm / 36.6 x 28.7 x 4.3" x Box 1
Gross weight	19.5kg / 42.9lbs

STANDARD COLOUR RANGE

- Metallic Silver**
Code: TTST22SI
- Sandstone Black**
Code: TTST22BK

NON-STANDARD COLOUR RANGE

- Antique Bronze**
Code: TTST22AB
- Ash Grey**
Code: TTST22AG
- Jarrah Brown**
Code: TTST22JH
- Leeuwin Blue**
Code: TTST22LW
- Peppermint Green**
Code: TTST22PM
- Pindan Red**
Code: TTST22PD
- Rust**
Code: TTST22RU
- White**
Code: TTST22WH



NR MARKETING PTY LTD
NOROCK USA LLC

INFO@NO-ROCK.COM
NO-ROCK.COM

SEPTEMBER 2023

All product information is correct at the time of printing but may be subject to change without notice. For the latest information please visit our website.